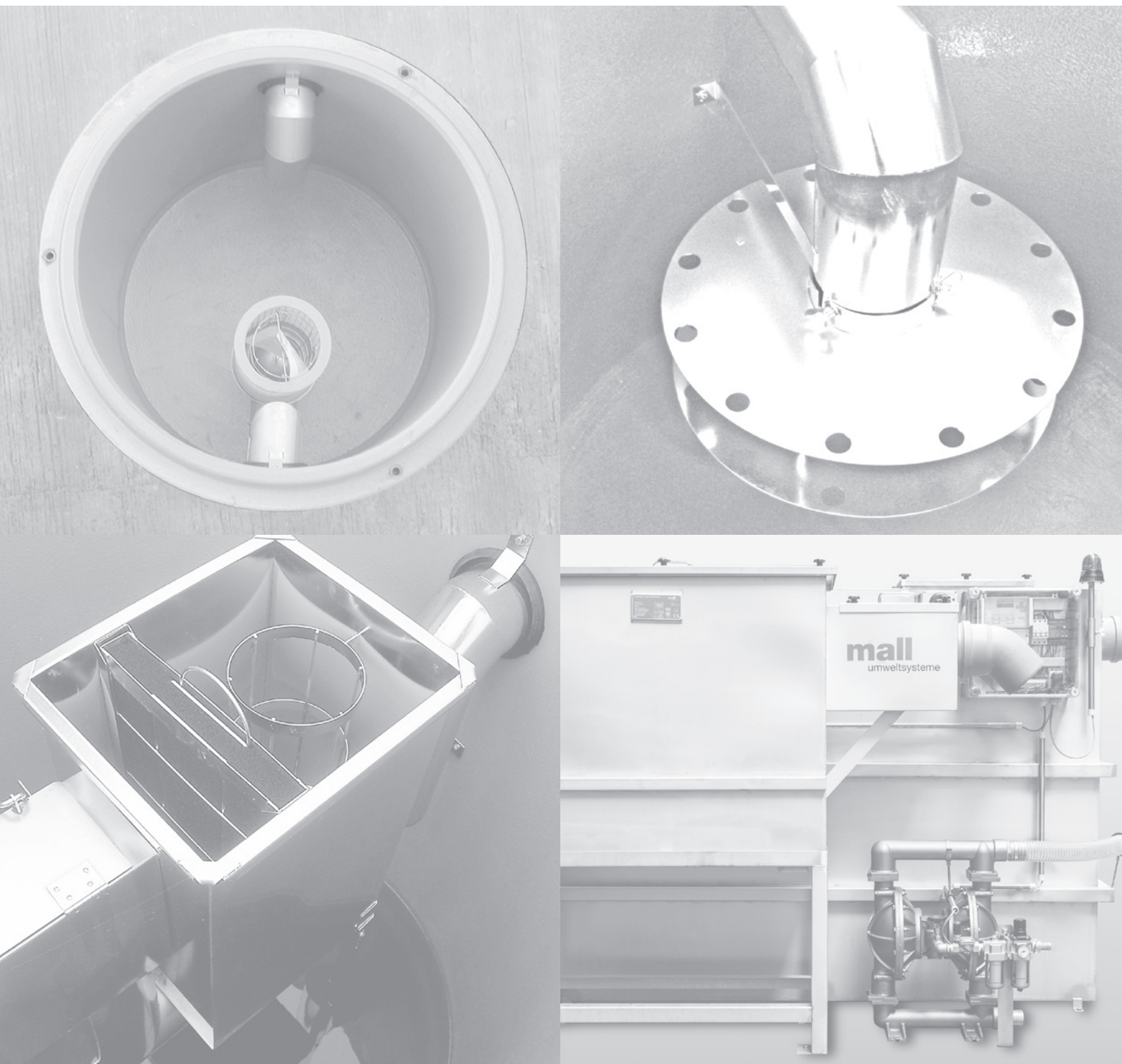


## Separating plants for light mineral liquids class II and class I as per DIN EN 858



## Mall NeutraCon pre-sludge trap as settling basin for washing facilities

### **S** Rectangular structure – model with grating cover

Order number	Contents	Length	Width	Total depth	Outlet depth	Height	Nominal size	Total weight
		l mm	w mm	TD mm	D mm	h mm	DN	kg
<b>Grate cover</b>								
Con 200 <sup>1)</sup>	200	2195	500	500	375	125	150	690
Con 825	825	1790	990	1200*	875	325	150	2,980
Con 1200	1200	2850	990	1200*	875	325	150	4,390
Con 2200	2200	4890	990	1200*	875	325	150	7,090

<sup>1)</sup> No internal coating, loading profile passenger cars

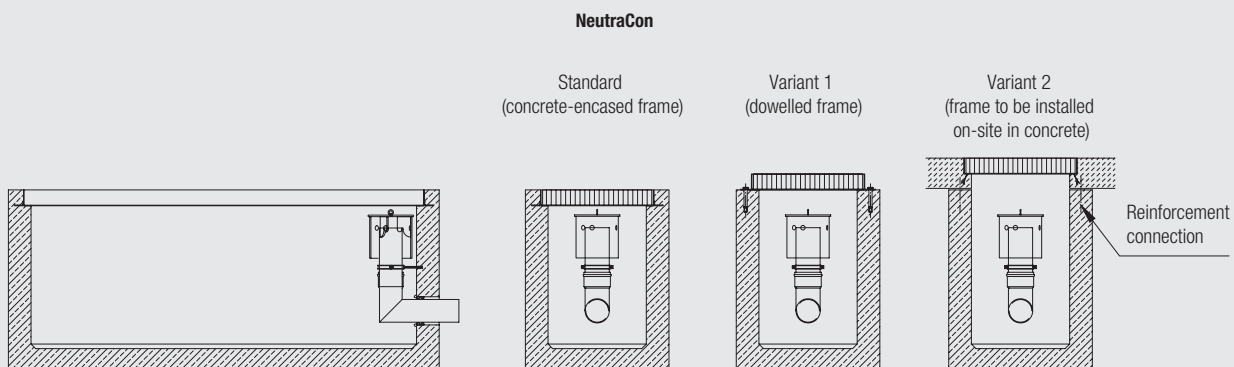
\* Only with frame, without frame: 1100 mm

- Internal coating resistant to light liquids, multi-layered, applied to pre-treated subsurface, tear resistance of at least 2.0 N/mm<sup>2</sup>, grating cover for loading profile HGV
- Quality-controlled prefabricated structure, made of waterproof, jointless C35/45 reinforced concrete as per DIN 4281
- Perforated mechanism at the tank outlet to retain floating solid substances
- Galvanised grating cover, mesh width 30x30 mm with M16 bolt connection
- Outlet line PE pre-sludge trap

Variants of frame attachment possible on request – see “dowelled” and “in-situ concrete” drawings (does not apply to Con 200).

Prices for both variants on request

Webcode **M5512** 



## Mall NeutraSed sludge trap

as component of downstream separating plant class II or I  
with internal coating resistant to light liquids,  
as per DIN EN 858



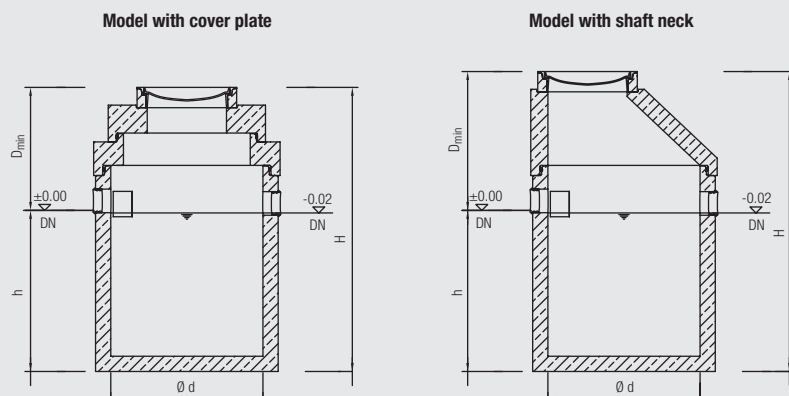
Order number class D 400	Contents I	Fits up to NS	Inner Ø d mm	Total depth TD mm	Inlet depth D <sub>min</sub> mm	Height h mm	Nominal size DN	Heaviest single weight kg	Total weight kg
<b>S Model with cover plate</b>									
Sed 650-150	650	3	1000	1730	730	1000	150	1,700	2,420
Sed 2500-150	2500	3, 6, 10	1500	2280	730	1550	150	4,280	5,750
Sed 3000-200	3000	15, 20	2000	2175	1035	1140	200	4,230	6,700
Sed 5000-150	5000	3, 6, 10	2000	2725	985	1740	150	5,330	7,800
Sed 5000-200	5000	15, 20	2000	2725	1035	1690	200	5,330	8,000
Sed 6000-250	6000	30	2000	3175	1085	2090	250	6,160	8,630
Sed 8000-300	8000	40, 50, 65	2500	2925	1125	1800	300	7,450	10,970
Sed 10000-150	10000	3, 6, 10	2500	3175	985	2190	150	8,320	11,840
Sed 10000-200	10000	15, 20	2500	3175	1035	2140	200	8,320	11,840
Sed 10000-250	10000	30	2500	3175	1085	2090	250	8,320	11,840
Sed 10000-300	10000	40, 50, 65	2500	3275	1125	2150	300	8,320	11,840
Sed 12000-300	12000	40, 50, 65	3000	2955	1190	1765	300	11,060	16,740
Sed 13000-300	13000	40, 50, 65	3000	3205	1190	2015	300	11,980	17,660
Sed 15000-200	15000	15, 20	3000	3405	1105	2300	200	12,270	18,400
Sed 15000-300	15000	40, 50, 65	3000	3455	1190	2265	300	12,910	18,590
Sed 16000-400	16000	80, 100	3000	3705	1280	2425	400	13,840	19,520
Sed 19300-150	19300	3, 6, 10	3000	3955	1190	2765	150	14,770	20,450

## S Model with shaft neck

Sed 650-150 K	650	3	1000	2130	1130	1000	150	1,700	2,510
Sed 2500-150 K	2500	3, 6, 10	1500	2680	1130	1550	150	4,280	5,780
Sed 3000-200 K	3000	15, 20	2000	2295	1155	1140	200	4,230	5,810
Sed 5000-150 K	5000	3, 6, 10	2000	2845	1105	1740	150	5,330	6,910
Sed 5000-200 K	5000	15, 20	2000	2945	1155	1690	200	5,330	7,110
Sed 6000-250 K	6000	30	2000	3295	1205	2090	250	6,160	7,730
Sed 8000-300 K	8000	40	2500	3045	1245	1800	300	7,450	9,440
Sed 10000-150 K	10000	3, 6, 10	2500	3395	1105	2290	150	8,320	10,310
Sed 10000-200 K	10000	15, 20	2500	3395	1155	2240	200	8,320	10,310
Sed 10000-250 K	10000	30	2500	3395	1205	2190	250	8,320	10,310
Sed 10000-300 K	10000	40	2500	3395	1245	2150	300	8,320	10,310

- Factory-installed, resilient sealing elements compatible with plastic pipes (e.g. HDPE, PP) for the articulated pipe connection
- Model with PE inliner available on request
- Dimensions apply to class D 400 cover. With cl. B 125 cover, the inlet depth (D<sub>min</sub>) and total depth (TD) are reduced by 35 mm and the total weight by 80 kg.
- In order to increase the inlet depth (D<sub>min</sub>), attachments as per DIN 4034-1 are available.

Webcode **M5509**



**NeutraSub petrol separator class II and sludge trap**

as per DIN EN 858  
 with self-closing mechanism  
 with CE marking



Order number class D 400	Nominal size NS	Sludge trap volume I	Inner Ø d mm	Total depth TD mm	Inlet depth D <sub>min</sub> mm	Height h mm	Nominal size DN	Oil storage capacity l	Heaviest single weight kg	Total weight kg
-----------------------------	--------------------	-------------------------	--------------------	-------------------------	---------------------------------------	-------------------	--------------------	---------------------------	------------------------------	--------------------

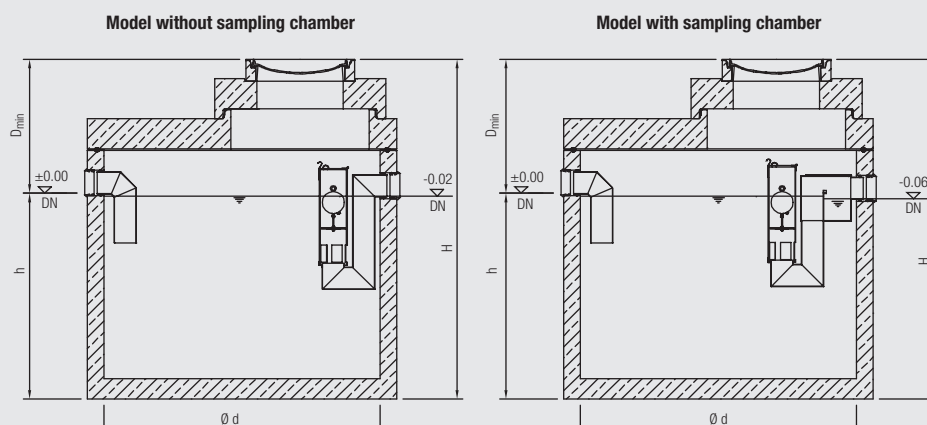
**S II Model without sampling chamber**

Sub 3-650	3	650	1200	2030	730	1300	150	512	2,450	3,450
Sub 4-800	4	800	1200	2180	730	1450	150	512	2,620	3,605
Sub 4-1200	4	1200	1200	2530	730	1800	150	512	3,430	4,415
Sub 6-1200	6	1200	1200	2530	730	1800	150	512	3,430	4,430
Sub 6-2500	6	2500	1500	2780	730	2050	150	690	5,250	6,750
Sub 6-5000	6	5000	2000	3275	985	2290	150	1020	6,430	8,900
Sub 8-1600	8	1600	1500	2280	730	1550	150	690	4,260	5,736
Sub 8-2500	8	2500	1500	2780	730	2050	150	690	5,230	6,706
Sub 10-2500	10	2500	1500	2750	730	2050	150	690	5,250	6,750
Sub 10-5000	10	5000	2000	3275	985	2290	150	1020	6,430	8,900
Sub 15-3000	15	3000	2000	2975	1035	1940	200	1012	5,830	8,300
Sub 15-5000	15	5000	2500	3075	1035	2040	200	1594	7,820	11,340
Sub 20-5000	20	5000	2500	3075	1035	2040	200	1594	7,820	11,340
Sub 30-6000	30	6000	2500	3275	1085	2190	250	1580	8,320	11,840

- Factory-installed, resilient sealing elements compatible with plastic pipes (e.g. HDPE, PP) for the articulated pipe connection
- The self-closing mechanism is – unless otherwise requested – tared for a density of 0.90 g/cm<sup>3</sup> on the part of the light liquid to be separated
- Suitable for biodiesel proportions up to 100%
- Model with PE inliner available on request
- Dimensions apply to class D 400 cover. With cl. B 125 cover, the inlet depth (D<sub>min</sub>) and total depth (TD) are reduced by 35 mm and the total weight by 80 kg
- In order to increase the inlet depth (D<sub>min</sub>), attachments as per DIN 4034-1 are available

**Model with integrated sampling chamber on request.**

Webcode **M5542**



## Mall NeutraStar separating plant class I as per DIN EN 858-1 with CE marking and coalescence device

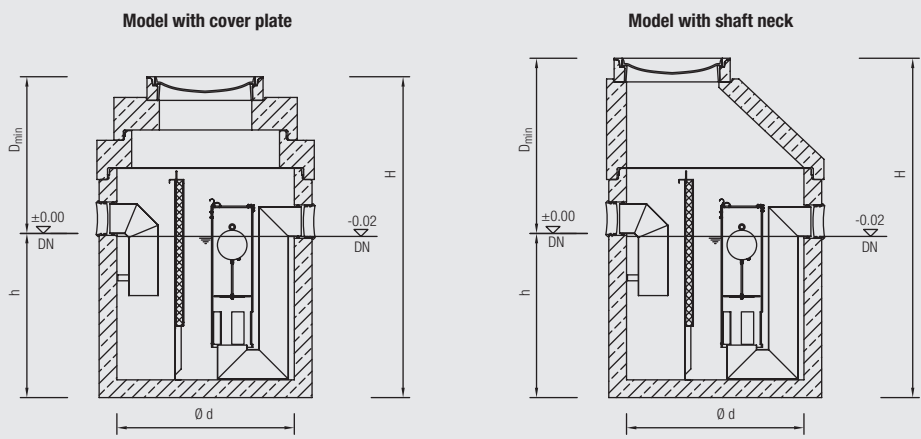


Order number class D 400	Nominal size NS	Inner Ø d mm	Total depth TD mm	Inlet depth D <sub>min</sub> mm	Height h mm	Nominal size DN	Storage capacity for light liquids l	Heaviest single weight kg	Total weight kg
<b>A Model with cover plate</b>									
Star 3	3	800	1580	770	810	150	184	1,230	1,750
Star 4	4	800	1580	770	810	150	184	1,230	1,750
Star 6	6	800	1580	770	810	150	184	1,230	1,750
Star 8	8	800	1580	770	810	150	184	1,230	1,750
Star 10	10	800	1580	770	810	150	185	1,230	1,750
Star 15	15	1000	1930	820	1110	200	339	1,910	2,630
Star 20	20	1200	2190	1080	1110	200	501	2,320	3,540
Star 30	30	1500	2290	1130	1160	250	737	4,300	5,990
Star 40	40	2000	3275	1165	2110	300	1326	7,690	10,160
Star 50	50	2000	2260	985	1275	300	1349	5,430	8,270
Star 65	65	2000	2260	985	1275	300	1349	5,430	8,290
Star 80	80	2000	3060	1375	1685	400	1469	8,570	11,340
Star 100	100	2500	3060	1375	1685	400	2389	10,970	15,480

<b>A Model with shaft neck</b>									
Star 3 K	3	800	1960	1170	810	150	184	1,220	1,930
Star 4 K	4	800	1960	1170	810	150	184	1,220	1,930
Star 6 K	6	800	1960	1170	810	150	184	1,220	1,930
Star 8 K	8	800	1960	1170	810	150	184	1,220	1,930
Star 10 K	10	800	1960	1170	810	150	185	1,220	1,930
Star 15 K	15	1000	2330	1220	1110	200	339	1,890	2,700
Star 20 K	20	1200	2330	1220	1110	200	501	2,300	3,380
Star 30 K	30	1500	2430	1270	1160	250	737	4,300	5,800
Star 40 K	40	2000	3395	1285	2110	300	1326	7,690	9,270

- Factory-installed, resilient sealing elements compatible with plastic pipes (e.g. HDPE, PP) for the articulated pipe connection.
- The self-closing mechanism is – unless otherwise requested – tared for a density of 0.90 g/cm<sup>3</sup> on the part of the light liquid to be separated.
- The complete system also comprises a sludge trap and a sampling shaft.
- Model with PE inliner available on request
- **The non-wearing coalescence mechanism can be removed and re-inserted for maintenance without emptying.**
- Dimensions apply to class D 400 cover. With cl. B 125 cover, the inlet depth (D<sub>min</sub>) and total depth (TD) are reduced by 35 mm and the total weight by 80 kg/240 kg.
- In order to increase the inlet depth (D<sub>min</sub>), attachments as per DIN 4034-1 are available.

Webcode **M5550**



**Mall NeutraSteel separating plant for free-standing installation class I  
 as per DIN EN 858-1 with CE marking and coalescence device with upstream sludge trap**


Order number	Contents	Fits up to NS	Length l mm	Width w mm	Total depth TD mm	Height h mm	Nominal size DN	Total weight kg
--------------	----------	---------------	-------------	------------	-------------------	-------------	-----------------	-----------------

**[S] NeutraSteel sedimentation unit**

Steel 650	650 <sup>1)</sup>	3.00	1100	1000	1200	1015	100	70
Steel 2500	2500	6.00	2150	1123	1563	1372	150	227

<sup>1)</sup> Round tank

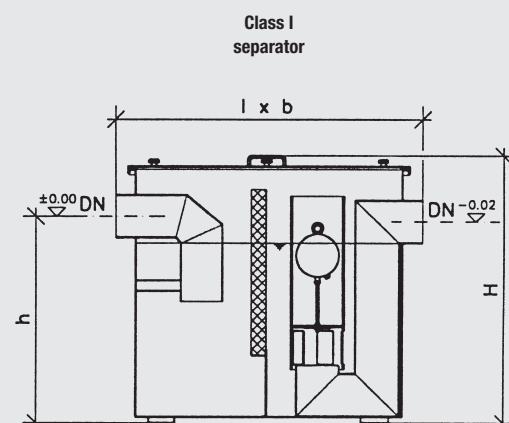
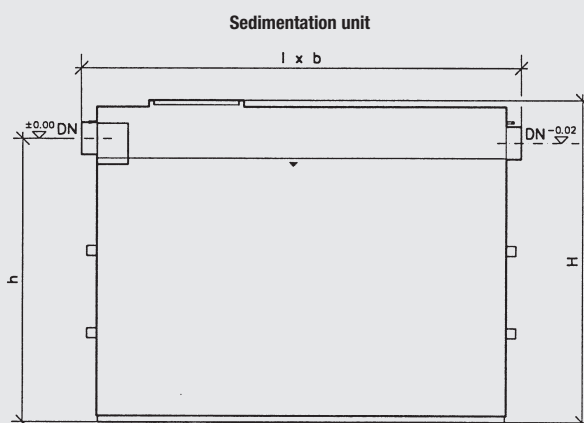
**[A] NeutraSteel separator unit with self-closing mechanism**

Order number	Nominal size NS	Length l mm	Width w mm	Total depth TD mm	Height h mm	LL storage capacity l	Nominal size DN	Total weight kg
Steel 3	3	780	423	733	507	51	100	50
Steel 6	6	950	523	858	632	81	150	55
Steel 10	10	1150	523	1008	782	103	150	75

- The connection fittings are suitable for plastic pipes.
- Coalescence separator with self-closing mechanism
- The self-closing mechanism is – unless otherwise requested – tared for a density of 0.90 g/cm<sup>3</sup> on the part of the light liquid to be separated.
- Stainless steel system for free-standing installation in frost-protected rooms
- **The coalescence mechanism can be removed and re-inserted for maintenance without emptying.**

Order number	Options
OAT030	Sampling device
OAT031	LL extraction device
OAT032	Cable feed-through for warning device
OAT034	Base frame for height adjustment between separator and sedimentation unit
OAT033	Inspection glass

Webcode **M5559**



## Mall separating plant class I with integrated NeutraCom sludge trap

as per DIN EN 858-1 with CE marking



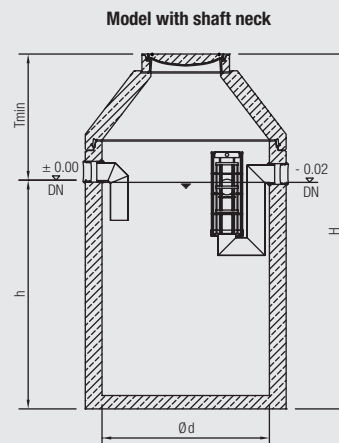
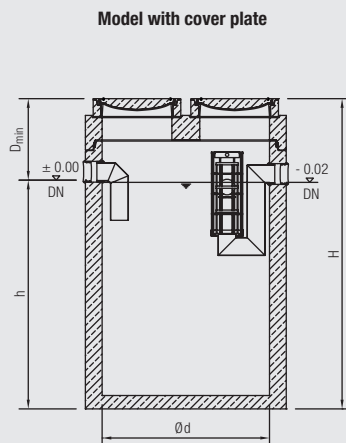
Order number class D 400	Nominal size	Sedimentation unit contents I	Inner Ø d mm	Total depth TD mm	Inlet depth D <sub>min</sub> mm	Height h mm	Nominal size DN	Storage capacity for light liquids I	Heaviest single weight kg	Total weight kg
	NS									
<b>[S A] Model with cover plate</b>										
Com 3-650	3	650	1200	1930	730	1200	150	512	2,320	5,220
Com 4-800	4	800	1200	2080	730	1350	150	512	2,990	3,489
Com 4-1200	4	1200	1200	2430	730	1700	150	512	3,290	4,275
Com 6-1200	6	1200	1500	2030	730	1300	150	690	3,790	5,700
Com 6-2500	6	2500	1500	2780	730	2050	150	690	5,250	6,685
Com 6-5000	6	5000	2000	3275	985	2290	150	1239	6,430	8,900
Com 8-1600	8	1600	1500	2280	730	1550	150	690	4,260	5,705
Com 8-2500	8	2500	1500	2780	730	2050	150	690	5,230	6,685
Com 8-5000	8	5000	2000	3275	985	2290	150	1239	6,430	8,900
Com 10-2000	10	2000	1500	2480	730	1750	150	690	4,650	6,100
Com 10-3000	10	3000	2000	2575	985	1590	150	1239	5,030	7,500
Com 10-2500	10	2500	1500	2780	730	2050	150	690	5,250	6,685
Com 10-5000	10	5000	2000	3275	985	2290	150	1239	6,430	8,900
Com 15-3000	15	3000	2000	2675	1035	1640	200	1447	5,230	7,420
Com 15-5000	15	5000	2000	3275	1035	2240	200	1447	6,430	8,620
Com 20-4000	20	4000	2000	3275	1035	1940	200	1447	5,810	8,020
Com 20-6000	20	6000	2500	2925	1035	1890	200	2278	7,430	10,950

### **[S A] Model with shaft neck**

Com 3-650 K	3	650	1200	2330	1130	1200	150	512	2,310	3,390
Com 4-800 K	4	800	1200	2480	1130	1350	150	512	2,500	3,580
Com 4-1200 K	4	1200	1200	2830	1130	1700	150	512	3,290	4,370
Com 6-1200 K	6	1200	1500	2430	1130	1300	150	690	3,770	5,075
Com 6-2500 K	6	2500	1500	3180	1130	2050	150	690	5,230	6,535
Com 8-1600 K	8	1600	1500	2680	1130	1550	150	690	4,260	5,555
Com 8-2500 K	8	2500	1500	3180	1130	2050	150	690	5,230	6,535
Com 10-2000 K	10	2000	1500	2880	1130	1750	150	690	4,650	5,945
Com 10-2500 K	10	2500	1500	3180	1130	2050	150	690	5,230	6,535

- Factory-installed, resilient sealing elements compatible with plastic pipes (e.g. HDPE, PP) for the articulated pipe connection.
- The self-closing mechanism is – unless otherwise requested – tared for a density of 0.90 g/cm<sup>3</sup> on the part of the light liquid to be separated.
- Model with PE inliner available on request
- **The non-wearing coalescence mechanism can be removed and re-inserted for maintenance without emptying.**
- Dimensions apply to class D 400 cover. With cl. B 125 cover, the inlet depth (D<sub>min</sub>) and total depth (TD) are reduced by 35 mm and the total weight by 80 kg.
- In order to increase the inlet depth (D<sub>min</sub>), attachments as per DIN 4034-1 are available.

Webcode **M5560**



**Mall separating plant class I  
 with integrated NeutraSpin sludge trap patented**

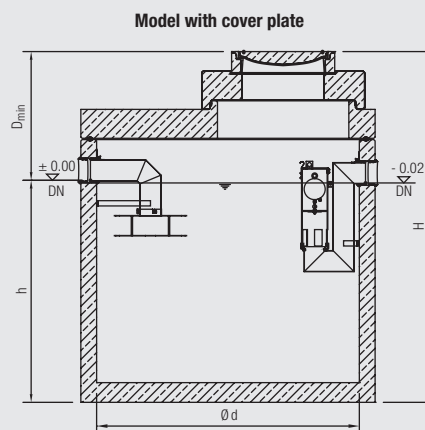
as per DIN EN 858-1 with CE marking  
 with free spherical passage (at least 150 mm);  
 wear-free, non-clogging hydrodynamic  
 coalescence device at the inlet



Order number class D 400	Nominal size	Sedimentation unit contents	Inner Ø	Total depth TD	Inlet depth D <sub>min</sub>	Height	Nominal size	Storage capacity for light liquids l	Heaviest single weight kg	Total weight kg
	NS	I	d mm	mm	mm	h mm	DN	l	kg	kg
<b>S A</b> Spin 3-650	3	650	1500	1930	730	1200	150	508	3,590	5,010
Spin 6-1200	6	1200	2000	2225	985	1240	150	910	4,330	6,760
Spin 6-2500	6	2500	2000	2625	985	1640	150	910	5,120	7,550
Spin 6-5000	6	5000	2500	2875	985	1890	150	1430	7,320	10,830
Spin 8-1600	8	1600	2000	2375	985	1390	150	910	4,620	7,050
Spin 8-2500	8	2500	2000	2625	985	1640	150	910	5,120	7,550
Spin 8-5000	8	5000	2500	2875	985	1890	150	1430	7,320	10,830
Spin 10-2000	10	2000	2000	2475	985	1490	150	910	4,830	7,300
Spin 10-2500	10	2500	2000	2625	985	1640	150	910	5,120	7,550
Spin 10-3000	10	3000	2000	2775	985	1790	150	910	5,430	7,850
Spin 10-5000	10	5000	2500	2875	985	1890	150	1430	7,330	10,830
Spin 15-3000	15	3000	2000	2975	1035	1940	200	903	5,820	8,250
Spin 15-5000	15	5000	2500	3075	1035	2040	200	1423	7,820	11,340
Spin 20-4000	20	4000	2500	2975	1035	1940	200	1423	7,570	11,080
Spin 20-5000	20	5000	2500	3175	1035	2140	200	1423	8,060	11,570
Spin 20-6000	20	6000	3000	3155	1155	2000	200	2058	11,610	17,540
Spin 25-5000	25	5000	3000	3105	1205	1900	250	2046	11,390	18,040
Spin 25-7500	25	7500	3000	3505	1205	2300	250	2046	12,870	19,530
Spin 30-6000	30	6000	3000	3605	1205	2400	250	2046	13,280	19,900
Spin 30-9000	30	9000	3000	4005	1205	2800	250	2046	14,760	21,380

**■ Maintenance-free, self-cleaning coalescence device**

- The self-closing mechanism is – unless otherwise requested – tared for a density of 0.90 g/cm<sup>3</sup> on the part of the light liquid to be separated.
- Factory-installed, resilient sealing elements compatible with plastic pipes (e.g. HDPE, PP) for the articulated pipe connection.
- Flow-optimised inlet construction
- Encourages settling of settleable solids
- Model with PE inliner available on request
- Dimensions apply to class D 400 cover. With cl. B 125 cover, the inlet depth (D<sub>min</sub>) and total height (TH) are reduced by 35 mm and the total weight by 80 kg.
- In order to increase the inlet depth (D<sub>min</sub>), attachments as per DIN 4034-1 are available.

 Webcode **M5563**




## Mall separating plant class II and class I with integrated NeutraPro sludge trap

as per DIN EN 858-1 with CE marking



Animation at:  
[www.mall.info/tv](http://www.mall.info/tv)

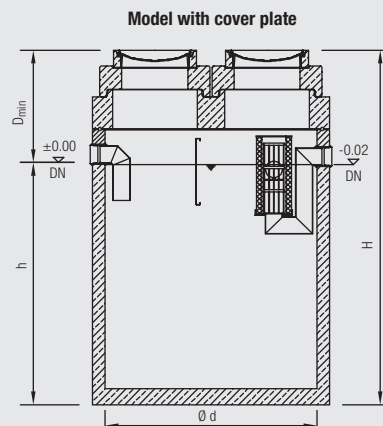
Order number class D 400	Nominal size	Sedimentation unit contents	Inner Ø	Total depth	Inlet depth	Height	Nominal size	Storage capacity for light liquids	Heaviest single weight	Total weight
	NS	I	d mm	TD mm	D <sub>min</sub> mm	h mm	DN	I	kg	kg

### **S B A** Model with cover plate

Pro 3-650	3	650	1200	2230	730	1500	150	510	2,690	3,640
Pro 4-800	4	800	1200	2380	730	1650	150	510	2,880	3,830
Pro 6-1200	6	1200	1500	2030	730	1300	150	810	3,790	5,220
Pro 6-2500	6	2500	1500	2780	730	2050	150	810	5,250	6,750
Pro 6-5000	6	5000	2000	3355	1065	2290	150	1238	6,420	9,600
Pro 10-2000	10	2000	1500	2680	730	1950	150	688	5,060	6,490
Pro 10-2500	10	2500	1500	2980	730	2250	150	688	5,640	7,140
Pro 10-5000	10	5000	2000	3355	1065	2290	150	1238	6,420	9,600
Pro 15-3000	15	3000	2000	2905	1115	1790	200	1444	5,520	8,700
Pro 15-5000	15	5000	2500	2925	1035	1890	200	2276	7,450	11,210
Pro 20-5000	20	5000	2500	2925	1035	1890	200	2276	7,450	11,210
Pro 30-6000	30	6000	2500	3275	1085	2190	250	2256	8,320	12,160

- Factory-installed, resilient sealing elements compatible with plastic pipes (e.g. HDPE, PP) for the articulated pipe connection.
- The self-closing mechanism is – unless otherwise requested – tared for a density of 0.90 g/cm<sup>3</sup> on the part of the light liquid to be separated.
- Model with PE inliner available on request
- **The non-wearing coalescence mechanism can be removed and re-inserted for maintenance without emptying.**
- **Both class II + I components are individually tested with respect to outlet values based on the approval criteria for separating plants.**
- Dimensions apply to class D 400 cover. With cl. B 125 cover, the inlet depth (D<sub>min</sub>) and total depth (TD) are reduced by 35 mm and the total weight by 80 kg.
- In order to increase the inlet depth (D<sub>min</sub>), attachments as per DIN 4034-1 are available.

Webcode **M5564**



## Mall NeutraSam removal tank

Webcode **M5520** 

designed to meet the respective requirements of various washing system manufacturers and circulation water treatment systems, e.g. Christ, Kärcher and Wasserschmidt

Order number class D 400	Contents l	Inner Ø d mm	Total depth TD mm	Inlet depth D <sub>min</sub> mm	Height h mm	Nominal size DN	Heaviest single weight kg	Total weight kg
-----------------------------	---------------	--------------------	-------------------------	---------------------------------------	-------------------	--------------------	---------------------------------	-----------------------

### Model with cover plate

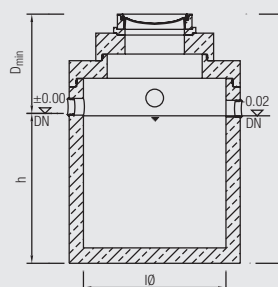
Sam-E 2500	2500	1500	2280	730	1550	150	4,280	5,750
Sam-E 5000	5000	2000	2725	985	1740	150	5,330	6,890
Sam-E 10000	10000	2500	3275	985	2290	150	8,320	10,290

### Model with shaft neck

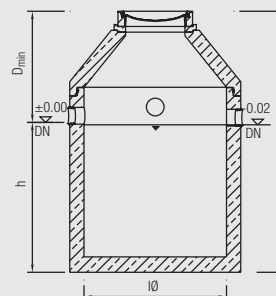
Sam-E 2500 K	2500	1500	2680	1130	1550	150	4,250	5,550
Sam-E 5000 K	5000	2000	2845	1105	1740	150	5,310	6,890
Sam-E 10000 K	10000	2500	3395	1105	2290	150	8,300	10,290

- Factory-installed, resilient sealing elements compatible with plastic pipes (e.g. HDPE, PP) for the articulated pipe connection.
- Additional empty conduit connections (object-specific)
- Model with PE inliner possible
- Dimensions apply to class D 400 cover. With cl. B 125 cover, the inlet depth (D<sub>min</sub>) and total depth (TD) are reduced by 35 mm and the total weight by 80 kg.
- In order to increase the inlet depth (D<sub>min</sub>), attachments as per DIN 4034-1 are available.

NeutraSam removal tank  
Model with cover plate



NeutraSam removal tank  
Model with shaft neck



## Mall light liquid separator

with NeutraPass integrated bypass

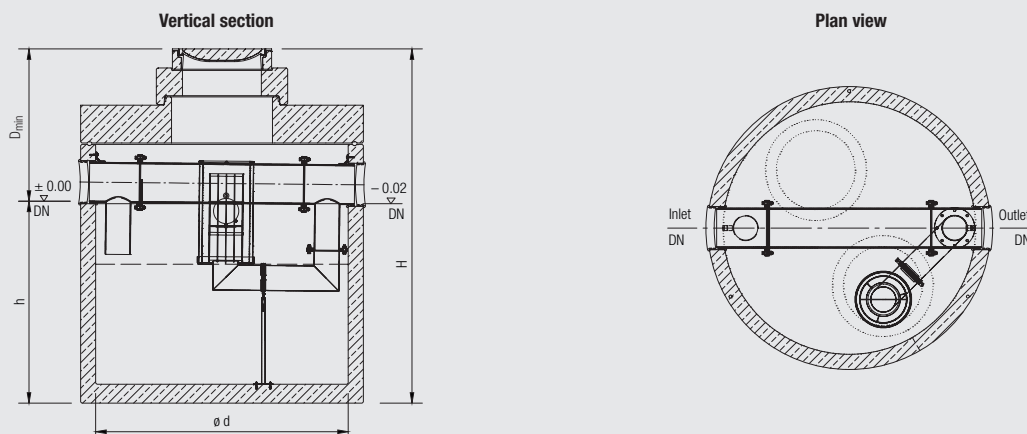
with dimensioned overflow threshold, sludge trap and class I separator



Order number class D 400	Volume flow	Sludge trap contents	Inner Ø	Total height	Inlet depth	Height	Inlet/outlet difference	Nominal size	LL storage capacity	Heaviest single weight	Total weight
	Q / Q <sub>max</sub> l/s	V <sub>s</sub> l	d mm	TD mm	D <sub>min</sub> mm	h mm	Δh mm	DN	V <sub>LF</sub> l	kg	kg
Pass006/018-1200	6 / 18	1200	1500	2130	830	1300	20	250	681	3,980	5,416
Pass006/030-1200	6 / 30	1200	1500	2130	830	1300	20	250	681	3,980	5,416
Pass006/060-1200	6 / 60	1200	1500	2180	870	1310	20	300	677	4,100	5,536
Pass008/024-1600	8 / 24	1600	1500	2330	780	1550	20	200	682	4,370	5,806
Pass008/040-1600	8 / 40	1600	1500	2430	870	1560	20	300	677	4,590	6,026
Pass008/080-1600	8 / 80	1600	1500	2530	970	1560	20	400	678	4,790	6,226
Pass010/030-2000	10 / 30	2000	1500	2580	830	1750	20	250	681	4,860	6,296
Pass010/050-2000	10 / 50	2000	1500	2630	870	1760	20	300	677	4,970	6,406
Pass010/100-2000	10 / 100	2000	1500	2730	970	1760	20	400	678	5,180	6,616
Pass015/045-3000	15 / 45	3000	2000	2805	1205	1600	20	300	1,426	5,340	8,528
Pass015/075-3000	15 / 75	3000	2000	2805	1205	1600	20	300	1,426	5,340	8,528
Pass015/150-3000	15 / 150	3000	2000	3005	1405	1600	20	500	1,423	5,770	8,958
Pass020/060-4000	20 / 60	4000	2000	3155	1205	1950	20	300	1,426	6,040	9,228
Pass020/100-4000	20 / 100	4000	2000	3255	1305	1950	20	400	1,426	6,250	9,438
Pass020/200-4000	20 / 200	4000	2000	3355	1405	1950	20	500	1,423	6,470	9,658

- The self-closing mechanism is – unless otherwise requested – tared for a density of 0.90 g/cm<sup>3</sup> on the part of the light liquid to be separated.
- Model with PE inliner available on request
- **The non-wearing coalescence insert can be removed for maintenance and re-inserted without emptying the separator.**
- Dimensions apply to class D 400 cover. With cl. B 125 cover, the inlet depth (D<sub>min</sub>) and total depth (TD) are reduced by 35 mm and the total weight by 160 kg.
- In order to increase the inlet depth (D<sub>min</sub>), attachments as per DIN 4034-1 are available.

Webcode **M5548**





## Mall NeutraCheck sampling shaft

### as a component for a separating plant, 160 mm slope drop

A sampling shaft is to be installed immediately downstream of a separator unit as per aBZ/aBG.

It is possible to take a water sample from the flowing wastewater with a standard bottle (1000 ml) without suction, pumping or siphoning processes.

Order number class D 400	Nominal size DN	Inner Ø d mm	Total depth TD mm	Inlet depth D <sub>min</sub> mm	Height h mm	Heaviest single weight kg	Total weight kg
<b>P</b> Model with cover plate							
Check 150	150	1000	1060	750	310	1,220	1,910
Check 200	200	1000	1110	800	310	1,280	1,970
Check 250	250	1000	1160	850	310	1,350	2,040
Check 300	300	1000	1210	900	310	1,420	2,110
Check 400	400	1000	1260	950	310	1,490	2,180

### **P** Model with shaft neck

Check 150 K	150	1000	1460	1150	310	1,220	2,000
Check 200 K	200	1000	1510	1200	310	1,280	2,060
Check 250 K	250	1000	1560	1250	310	1,350	2,130
Check 300 K	300	1000	1610	1300	310	1,420	2,200
Check 400 K	400	1000	1660	1350	310	1,490	2,270

### **P** Model with hollow form and cover plate: Inlet and outlet gradient 40 mm

Check recess 150	150	1000	1060	750	310	1,220	1,750
Check recess 200	200	1000	1110	800	310	1,280	1,810
Check recess 250	250	1000	1160	850	310	1,350	1,890
Check recess 300	300	1000	1210	900	310	1,420	1,950
Check recess 400	400	1000	1260	950	310	1,490	2,180

### **P** Model with hollow form and shaft neck: Inlet and outlet gradient 40 mm

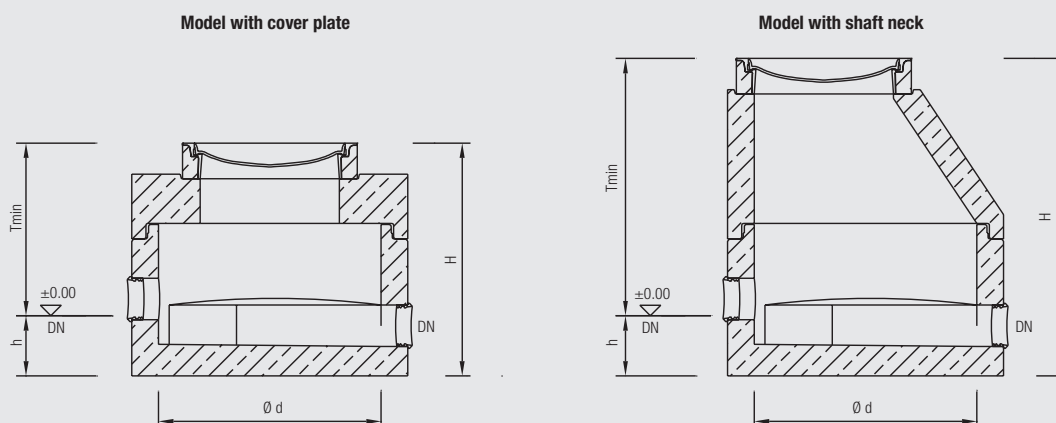
Check recess 150 K	150	1000	1460	1150	310	1,220	2,000
Check recess 200 K	200	1000	1510	1200	310	1,280	2,060
Check recess 250 K	250	1000	1560	1250	310	1,350	2,130
Check recess 300 K	300	1000	1610	1300	310	1,420	2,200
Check recess 400 K	400	1000	1660	1350	310	1,490	2,220

- Dimensions apply to class D 400 cover. With cl. B 125 cover, the inlet depth (D<sub>min</sub>) and total depth (TD) are reduced by 35 mm, weight according to the respective covers.
- In order to increase the inlet depth (D<sub>min</sub>), attachments as per DIN 4034-1 are available.
- Factory-installed, resilient sealing elements compatible with plastic pipes (e.g. HDPE, PP) for the articulated pipe connection.

#### Options

- Manually operated slider
- Bends
- Backwater protection
- 2nd inlet

Webcode **M5566**



## Mall NeutraStop OAC warning device for separating plants as per DIN EN 858



Animation at:  
[www.mall.info/tv](http://www.mall.info/tv)

NeutraStop type OAC with visual and acoustic signalling (dimensions: width = 20 cm, height = 16 cm)

Order number

613013

- Automatic warning device with acoustic and visual signalling for separating plants as per DIN EN 858 / DIN 1999-100
- Model IP65, 230 V 50 Hz
- Monitoring electronics for analysis of readings from **2 x 2 sensors**
- Light liquid sensor for signalling before reaching a defined light liquid layer thickness
- Level monitor for monitoring the level of liquid in the separating plant
- Display unit with signalling memory for up to 400 messages with date and time
- With EC examination certificate and declaration of conformity
- Assembly material incl. cable sleeve
- With four voltage-free relay outputs for the connection of an external alarm device
- Reminder function for own monitoring/maintenance work and general inspections
- USB interface for passive USB devices (USB stick) for data transfer

Webcode **M9002**

## Mall NeutraStop OAC GSM warning device for separating plants as per DIN EN 858

Webcode **M9002**

NeutraStop type OAC GSM with visual and acoustic signalling (dimensions: width = 20 cm, height = 16 cm)

Order number

613014

**Design as per Neutra Stop OAC (see above)**

Additionally:

- GSM modem integrated
- Sending of OK, alarm and fault messages in SMS and/or e-mail format
- Sending and querying a status report (actual condition)

## NeutraStop wall feed-through system (cable feed-through)

Mineral oil-resistant and gas-tight system for feed-throughs in walls of reinforced concrete tanks, with sealing for empty DN 100 plastic conduit, incl. compression seals for sensor connection and equipotential bonding cabling, factory fitted

703004

## Sensor connection cable for automatic Mall NeutraStop OAC warning device

- **2-core stranded control cable**, shielding braid with blue outer jacket, resistant to petrol and mineral oil as per DIN 0472 part 803, connection cable 2 x 0.50 mm<sup>2</sup> per running metre
- **Equipotential bonding cable** H07V-K 1 x 6 mm<sup>2</sup> per running metre

603002

612570

## Options and enhancements

- **Sludge sensor** for detecting and reporting a defined sludge layer thickness
- **Extension package for monitoring a 2nd separating plant**
  - Light liquid sensor for signalling a defined light liquid layer thickness
  - Level monitor for monitoring the level of liquid in the separating plant
  - Including cable sleeve and fastening material
- **Float unit** for light liquid sensor with fluctuating liquid levels

613583

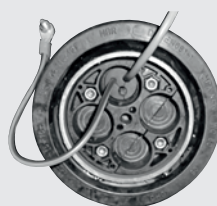
704501

600817

Display unit



Cable feed-through



Sludge sensor

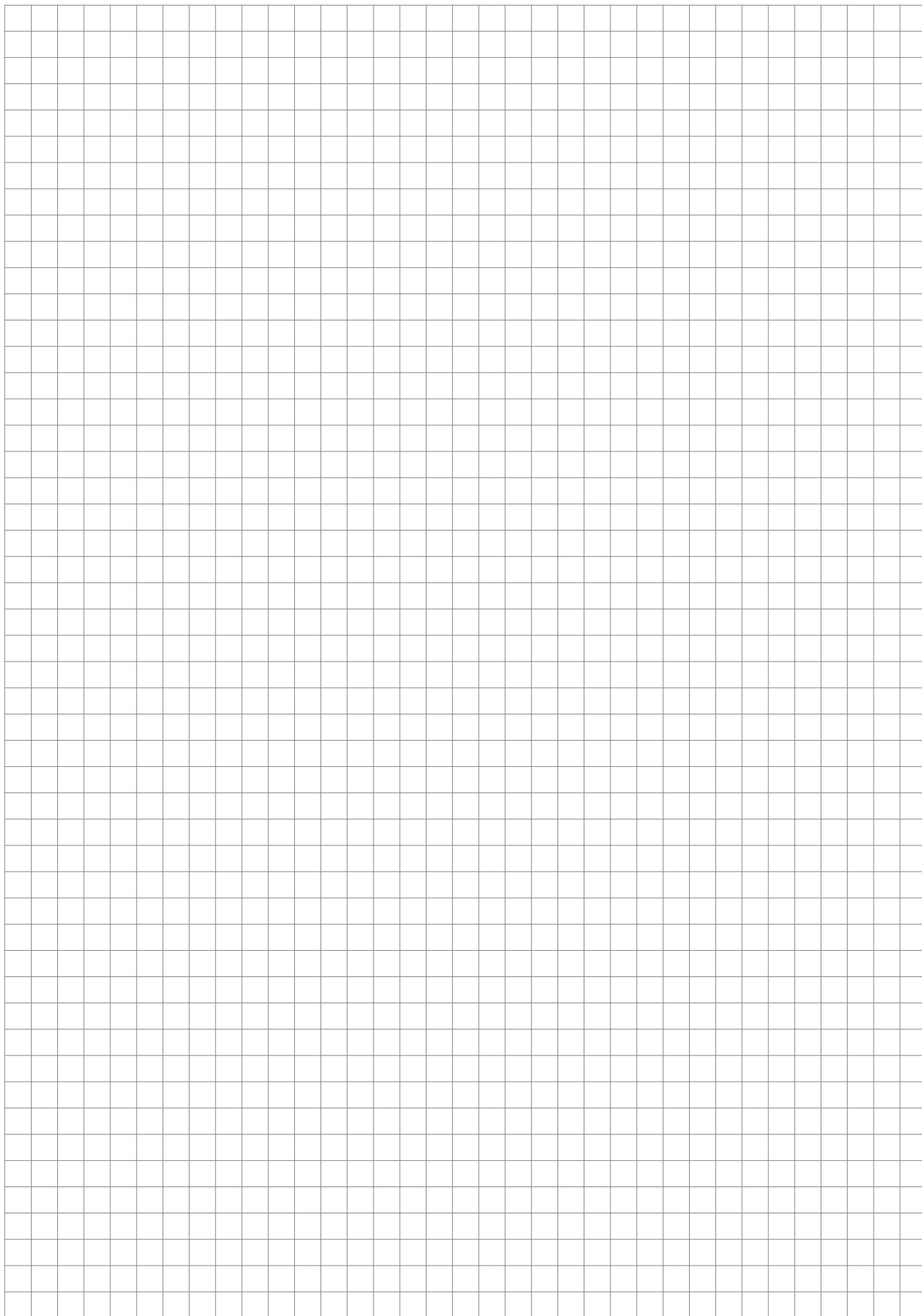


Level monitor



Light liquid sensor





# Grease separating plants as per DIN EN 1825

Reinforced concrete underground installation  
Plastic free-standing installation



**Mall grease separator with integrated NeutraTip sludge trap**

 as per DIN EN 1825,  
 with standard-compliant internal coating

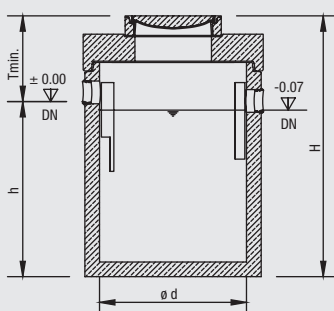
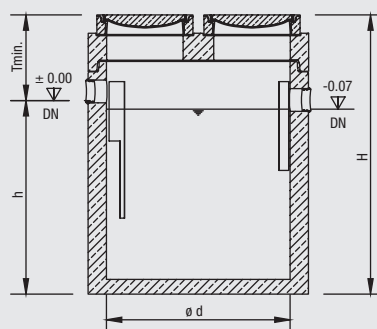
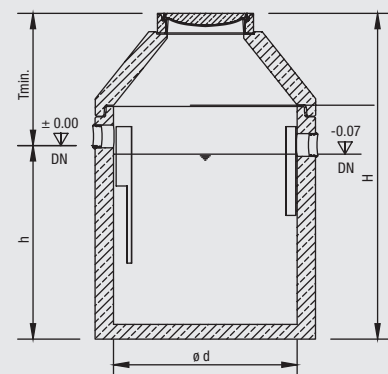

Order number class D 400	Nominal size	Sludge trap volume	Inner Ø	Total depth	Inlet depth	Height	Nominal size	Grease storage capacity	Heaviest single weight	Total weight
	NS	l	d mm	TD mm	D <sub>min</sub> mm	h mm	DN	l	kg	kg
<b>S F Model with cover plate</b>										
Tip 2-200	2	200	1000	1730	700	1030	150	166	1,700	2,420
Tip 2-400	2	400	1000	1930	700	1230	150	166	1,910	2,630
Tip 4-400	4	400	1000	2130	700	1430	150	166	2,120	2,840
Tip 4-800	4	800	1200	2130	700	1430	150	242	2,570	3,570
Tip 7-700	7	700	1200	2380	700	1680	150	283	2,880	3,880
Tip 7-1400	7	1400	1500	2280	700	1580	150	449	4,280	5,750
Tip 10-1000	10	1000	1500	2180	700	1480	150	411	4,080	5,550
Tip 10-2000	10	2000	1500	2780	700	2080	150	411	5,250	6,685
Tip 15-1500	15	1500	2000	2475	1005	1470	200	802	4,830	7,020
Tip 15-3000	15	3000	2000	2975	1005	1970	200	802	5,830	8,020
Tip 20-2000	20	2000	2000	2725	1005	1720	200	802	5,330	7,520
Tip 20-4000	20	4000	2000	3275	1005	2270	200	802	6,430	8,620
Tip 25-2500	25	2500	2000	3275	1005	2270	200	1029	6,430	8,620
Tip 25-5000	25	5000	2500	3275	1005	2070	200	1270	7,820	11,100
Tip 30-3000	30	3000	2500	2925	1055	1870	250	1213	7,450	10,730

**S F Model with shaft neck**

Tip 2-200 K	2	200	1000	2130	1100	1030	150	166	1,700	2,510
Tip 2-400 K	2	400	1000	2330	1100	1230	150	166	1,910	2,720
Tip 4-400 K	4	400	1000	2530	1100	1430	150	166	2,120	2,930
Tip 4-800 K	4	800	1200	2530	1100	1430	150	242	2,570	3,650
Tip 7-700 K	7	700	1200	2780	1100	1680	150	283	2,880	3,960
Tip 7-1400 K	7	1400	1500	2680	1100	1580	150	449	4,280	5,555
Tip 10-1000 K	10	1000	1500	2580	1100	1480	150	411	4,080	5,365
Tip 10-2000 K	10	2000	1500	3180	1100	2080	150	411	5,250	6,535
Tip 15-1500 K	15	1500	2000	2595	1125	1470	200	802	4,830	6,410
Tip 15-3000 K	15	3000	2000	3095	1125	1970	200	802	5,830	7,410
Tip 20-2000 K	20	2000	2000	2845	1125	1720	200	802	5,330	6,910
Tip 20-4000 K	20	4000	2000	3395	1125	2270	200	802	6,430	8,010
Tip 25-2500 K	25	2500	2000	3395	1125	2270	200	1029	6,430	8,010
Tip 25-5000 K	25	5000	2500	3195	1125	2070	200	1270	7,820	9,810
Tip 30-3000 K	30	3000	2500	3045	1175	1870	250	1213	7,450	9,440

- Factory-installed, resilient sealing elements compatible with plastic pipes (e.g. HDPE, PP) for the articulated pipe connection.
- Dimensions apply to class D 400 cover. With cl. B 125 cover, the inlet depth (D<sub>min</sub>) and total depth (TD) are reduced by 35 mm and the total weight by 80 kg.
- In order to increase the inlet depth (D<sub>min</sub>), attachments as per DIN 4034-1 are available.

For standard-compliant sampling shafts, see page 44.

 Webcode **M5575**
**Model with cover plate  
and opening for Ø1000 – Ø1200**

**Model with cover plate  
and two openings from Ø1500**

**Model with shaft neck**




**Mall grease separator with integrated NeutraTip sludge trap**

as per DIN EN 1825,  
model with PE inliner



Order number class D 400	Nominal size	Sludge trap volume	Inner Ø	Total depth	Inlet depth	Height	Nominal size	Grease storage capacity	Heaviest single weight	Total weight
	NS	I	d mm	TD mm	D <sub>min</sub> mm	h mm	DN	I	kg	kg
<b>[S F] Model with cover plate</b>										
Tip 2-200IN	2	200	1000	1730	700	1030	150	166	1,700	2,420
Tip 2-400IN	2	400	1000	1930	700	1230	150	166	1,910	2,630
Tip 4-400IN	4	400	1000	2130	700	1430	150	166	2,120	2,840
Tip 4-800IN	4	800	1200	2130	700	1430	150	242	2,570	3,570
Tip 7-700IN	7	700	1200	2380	700	1680	150	283	2,880	3,880
Tip 7-1400IN	7	1400	1500	2280	700	1580	150	449	4,280	5,750
Tip 10-1000IN	10	1000	1500	2180	700	1480	150	411	4,080	5,550
Tip 10-2000IN	10	2000	1500	2780	700	2080	150	411	5,250	6,720
Tip 15-1500IN	15	1500	2000	2475	1005	1470	200	802	4,830	7,300
Tip 15-3000IN	15	3000	2000	2975	1005	1970	200	802	5,830	8,300
Tip 20-2000IN	20	2000	2000	2725	1005	1720	200	802	5,330	7,800
Tip 20-4000IN	20	4000	2000	3275	1005	2270	200	802	6,430	8,900
Tip 25-2500IN	25	2500	2000	3275	1005	2270	200	1029	6,430	8,900
Tip 25-5000IN	25	5000	2500	3075	1005	2070	200	1270	7,820	11,340
Tip 30-3000IN	30	3000	2500	2925	1055	1870	250	1213	7,450	10,970

**[S F] Model with shaft neck**

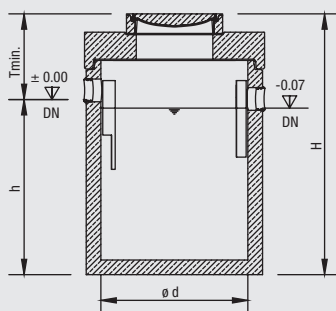
Tip 2-200IN K	2	200	1000	2130	1100	1030	150	166	1,700	2,500
Tip 2-400IN K	2	400	1000	2330	1100	1230	150	166	1,910	2,720
Tip 4-400IN K	4	400	1000	2530	1100	1430	150	166	2,120	2,930
Tip 4-800IN K	4	800	1200	2530	1100	1430	150	242	2,570	3,650
Tip 7-700IN K	7	700	1200	2780	1100	1680	150	283	2,880	3,960
Tip 7-1400IN K	7	1400	1500	2680	1100	1580	150	449	4,280	5,780
Tip 10-1000IN K	10	1000	1500	2580	1100	1480	150	411	4,080	5,580
Tip 10-2000IN K	10	2000	1500	3180	1100	2080	150	411	5,250	6,750
Tip 15-1500IN K	15	1500	2000	2595	1125	1470	200	802	4,830	6,410
Tip 15-3000IN K	15	3000	2000	3095	1125	1970	200	802	5,830	7,410
Tip 20-2000IN K	20	2000	2000	2845	1125	1720	200	802	5,330	6,910
Tip 20-4000IN K	20	4000	2000	3395	1125	2270	200	802	6,430	8,010
Tip 25-2500IN K	25	2500	2000	3395	1125	2270	200	1029	6,430	8,010
Tip 25-5000IN K	25	5000	2500	3195	1125	2070	200	1270	7,820	9,810
Tip 30-3000IN K	30	3000	2500	3045	1175	1870	250	1213	7,450	9,440

- Factory-installed, resilient sealing elements compatible with plastic pipes (e.g. HDPE, PP) for the articulated pipe connection.
- Dimensions apply to class D 400 cover. With cl. B 125 cover, the inlet depth (D<sub>min</sub>) and total depth (TD) are reduced by 35 mm and the total weight by 80 kg.
- In order to increase the inlet depth (D<sub>min</sub>), attachments as per DIN 4034-1 are available.

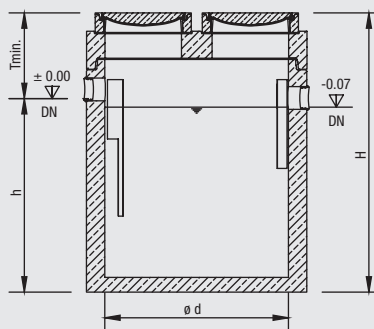
For standard-compliant sampling shafts, see page 44.

Webcode **M5575**

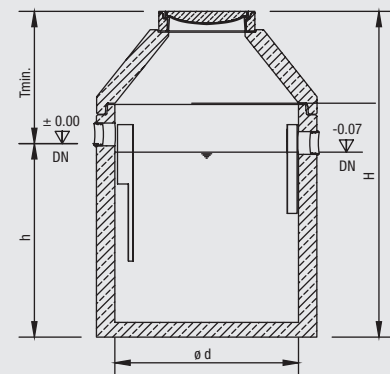
**Model with cover plate  
and opening for Ø 1000 – Ø 1200**



**Model with cover plate  
and two openings from Ø 1500**



**Model with shaft neck**





## Mall NeutraCheck sampling shaft

### For upstream separating plant, 160 mm slope drop

A sampling shaft is to be installed immediately downstream of the separator as per DIN 4040-100.

It is possible to take a water sample from the flowing wastewater with a standard bottle (1000 ml) without suction, pumping or siphoning processes. Thus, the analysis values of the discharged wastewater are meaningful and representative.

Order number class D 400	Nominal size DN	Inner Ø d mm	Total depth TD mm	Inlet depth D <sub>min</sub> mm	Height h mm	Heaviest single weight kg	Total weight kg
-----------------------------	--------------------	--------------------	-------------------------	---------------------------------------	-------------------	---------------------------------	-----------------------

#### **P** Model with cover plate

Check-F 150	150	1000	1060	750	310	1,220	1,940
Check-F 200	200	1000	1110	800	310	1,280	2,000
Check-F 250	250	1000	1160	850	310	1,350	2,070

#### **P** Model with shaft neck

Check-F 150 K	150	1000	1460	1150	310	1,220	2,000
Check-F 200 K	200	1000	1510	1200	310	1,280	2,060
Check-F 250 K	250	1000	1560	1250	310	1,350	2,130

#### **P** Model with hollow form and cover plate: Inlet and outlet gradient 40 mm

Check-F recess 150	150	1000	1060	750	310	1,220	1,940
Check-F recess 200	200	1000	1110	800	310	1,280	2,000
Check-F recess 250	250	1000	1160	850	310	1,350	2,070

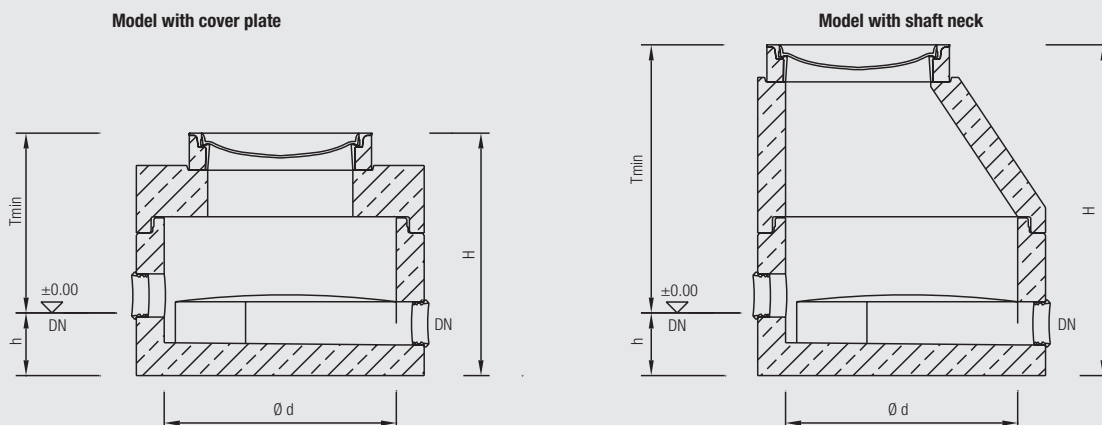
#### **P** Model with hollow form and shaft neck: Inlet and outlet gradient 40 mm

Check-F recess 150 K	150	1000	1460	1150	310	1,220	2,000
Check-F recess 200 K	200	1000	1510	1200	310	1,280	2,060
Check-F recess 250 K	250	1000	1560	1250	310	1,350	2,130

- Concrete cover, sand/stench trap
- With trough and berm
- Factory-installed, resilient sealing elements compatible with plastic pipes (e.g. HDPE, PP) for the articulated pipe connection.
- Dimensions apply to class D 400 cover. With cl. B 125 cover, the inlet depth (D<sub>min</sub>) and total depth (TD) are reduced by 35 mm, weight according to the respective covers.
- In order to increase the inlet depth (D<sub>min</sub>), attachments as per DIN 4034-1 are available.

#### Options:

- Manually operated slider
- Screwed cover
- Bends
- Anti-flooding valve

 Webcode **M5530**




## RAL quality certificate separating plants

All Mall separating plants are distinguished with the RAL quality certificate 693. Products that carry this quality certificate offer clients and specialist planners an excellent and reliable decision-making aid and furthermore represent a superior quality and safety standard. RAL certification is publically recognised and above all represents an independent assurance of quality.

### Benefits of RAL quality assurance:

- Definition of additional quality criteria for drainage technology products that extend beyond normative regulations
- Type testing of products by a neutral body
- Stability certificates
- Own monitoring of manufacture and manufacturing checks
- External monitoring of products and production processes
- Continuous and regular monitoring of adherence to RAL quality provisions by a recognised, neutral body
- Supervisory reports that document adherence to these increased requirements
- Ongoing updates to technical and regulative standards
- Additional assurance for planners, installers and operators through consistent quality

