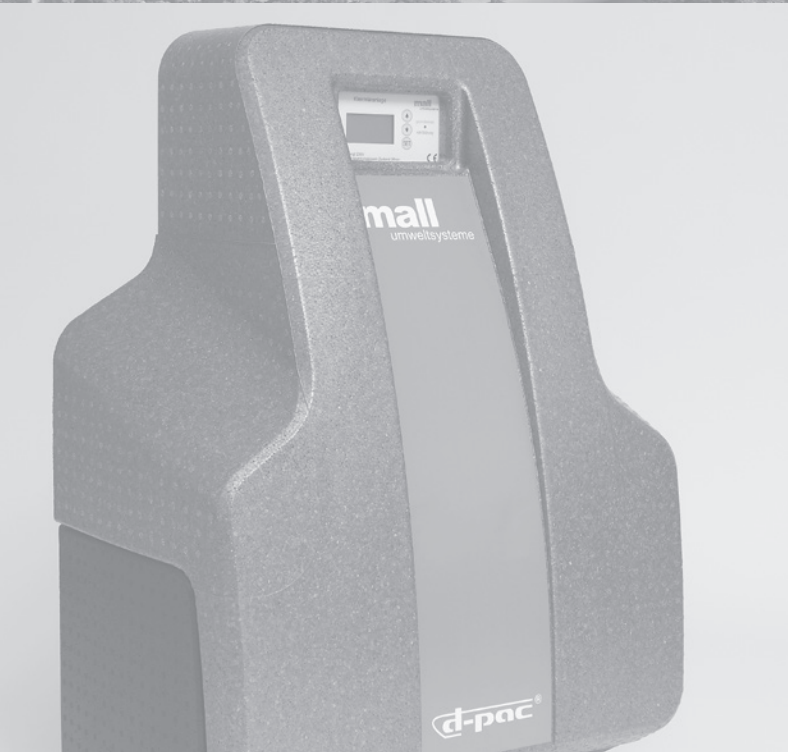
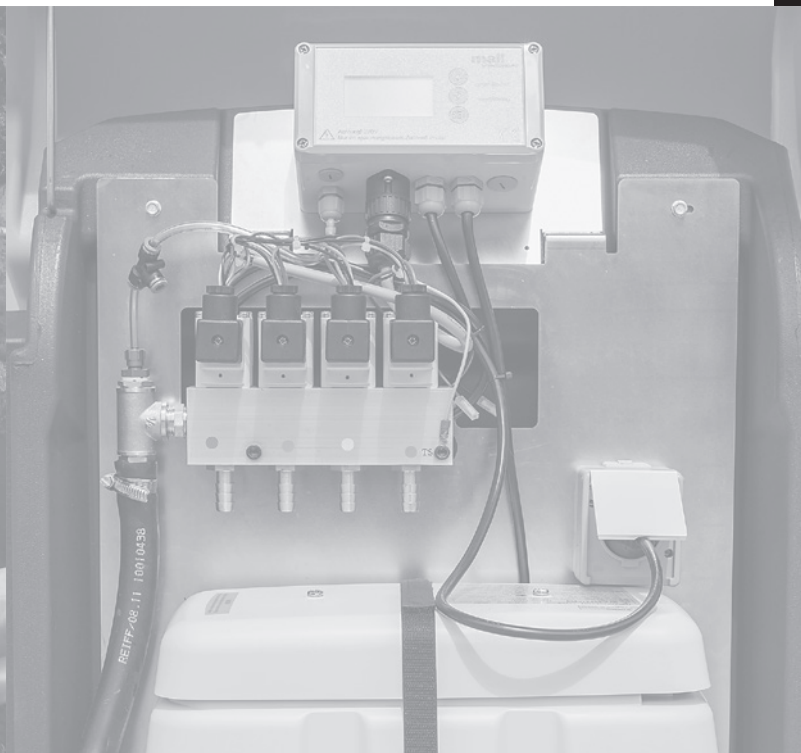


Fully biological wastewater treatment plants
Mechanical wastewater treatment plants
Wastewater collection pits



Mall SanoClean S and M easyline small wastewater treatment plant

- C35/45 reinforced concrete tank (Ø 2000/2500 mm) with rebate, monolithic round structure
- Cone with mortar joint, built-in feed-through for the supply lines
- Class A 15 shaft cover which can be walked over
- SanoClean - SBR module
- Technical console for interior installation, completely pre-assembled incl. control system with power failure detection


 Animation at:
www.mall.info/tv


Order number	Residents	Number of tanks items	Inner Ø ID mm	Total depth TD mm	Heaviest individual weight kg	Total weight kg	Compressor type	Preset runtime h	Compressor capacity at max. 300 hpa
--------------	-----------	--------------------------	---------------------	-------------------------	----------------------------------	--------------------	-----------------	---------------------	--

SanoClean S easyline

to meet minimum statutory requirements (effluent class C)

ES4-H20	4	1	2000	2250	4,540	5,410	LA 45	10.5	47 W
ES6-H20	6	1	2000	2600	5,250	6,110	LA 60	8.9	64 W
ES8-H20	8	1	2000	3000	6,060	6,910	LA 100	7.2	100 W
ES8-H25	8	1	2500	2300	5,420	7,590	LA 80	9.3	86 W
ES12-H25	12	1	2500	2800	6,670	8,830	LA 100	9.3	100 W
ES16-H25	16	1	2500	3300	9,530	11,720	LA 120	9.3	120 W
ES20-K20	20	2	2000	3300	5,170	13,060	LA 200	12.1	200 W

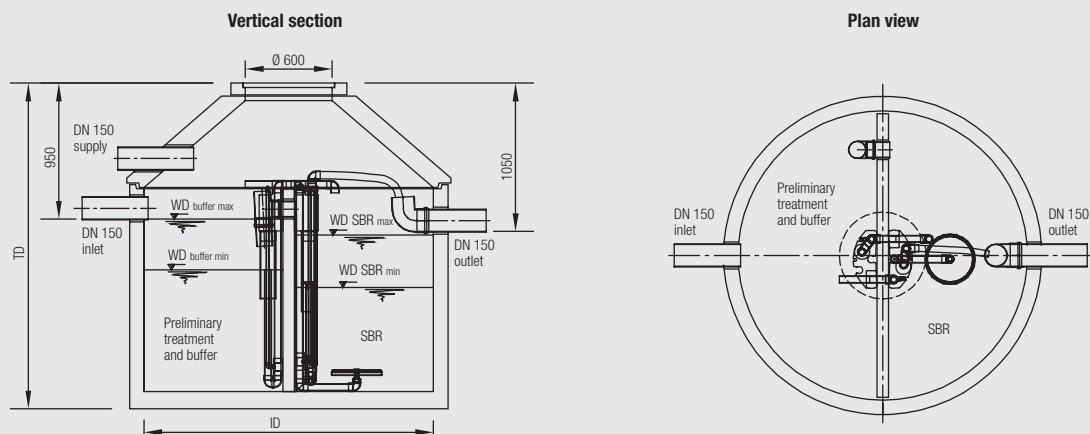
SanoClean M easyline

to meet minimum statutory requirements with nitrification (effluent class N)

EM4-H20	4	1	2000	2250	4,540	5,410	LA 60	10.3	64 W
EM6-H20	6	1	2000	2600	5,250	6,110	LA 80	10.9	86 W
EM8-H20	8	1	2000	3000	6,060	6,910	LA 100	10.3	100 W
EM8-H25	8	1	2500	2300	5,420	7,590	LA 100	10.3	100 W
EM12-H25	12	1	2500	2800	6,670	8,830	LA 100	14.0	100 W
EM16-H25	16	1	2500	3300	9,540	11,720	LA 200	10.6	200 W

Note:

- The compressor capacities specified above are based on output; any calculation of the energy costs must take power loss into account in each case. This can be estimated with a factor of 1.1 for compressors of type LA.
- The specified weights indicate the maximum weights and may vary depending on the manufacturing location, please contact us directly for queries on the precise individual weight.
- Supplied pressure hose length for internal switch cabinet: 10 m
- The systems are suitable only for treating domestic wastewater, special conditions (e.g. restaurant wastewater, commercial and industrial wastewater) on request.
- Effluent class C effluent values: CSB ≤ 150 mg/l, BSB₅ ≤ 40 mg/l
- Effluent class N effluent values: CSB ≤ 90 mg/l, BSB₅ ≤ 20 mg/l, NH₄-N ≤ 10 mg/l

 Webcode **M4002**


Mall SanoClean S classicline small wastewater treatment plant patented



Animation at:
www.mall.info/tv



to meet minimum statutory requirements (effluent class C)

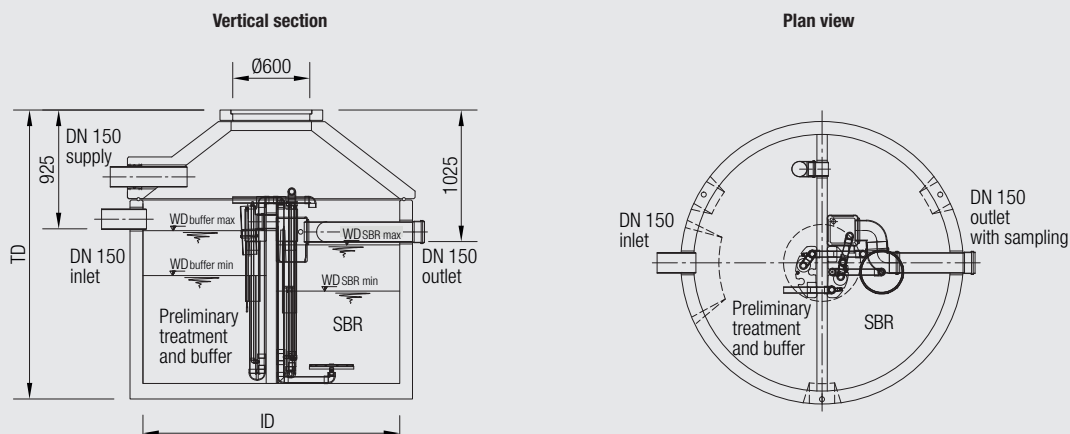
- Comfort-type C35/45 reinforced concrete tank (Ø 2000/2500 mm) or with rebate (Ø 3000), monolithic round structure
- Comfort type has bolted cone incl. elastomer seal, bolting material, version with Ø 3000 cone has mortar joint, built-in feed-through for the supply lines
- Class A 15 shaft cover which can be walked over
- SanoClean SBR module with completely pre-assembled machinery cabinet incl. control system, d-pac compressed air control and power failure detection
- For compressor types LA 45, LA 60, LA 80, LA 100, LA 120, LA 200, DT 4.4, DT 4.6, DT 4.8, DT 4.10 and DT 4.16 with interior or exterior cabinet as selected
- Integrated sampling facility (sampling pot)
- For compressor type DT4.25: available with exterior cabinet only

Order number	Residents	Number of tanks items	Inner Ø ID mm	Total depth TD mm	Heaviest single weight kg	Total weight kg	Compressor type	Preset runtime h	Compressor capacity at max. 300 hpa
CS4-H20	4	1	2000	2250	4,530	5,410	LA 45	10.5	47 W
CS6-H20	6	1	2000	2600	5,240	6,110	LA 60	8.9	64 W
CS8-H20	8	1	2000	3000	6,050	6,910	LA 100	7.2	100 W
CS8-H25	8	1	2500	2300	5,420	7,490	LA 80	9.3	86 W
CS12-H25	12	1	2500	2800	6,670	8,730	LA 100	9.3	100 W
CS16-H25	16	1	2500	3300	9,530	11,490	LA 120	10.5	120 W
CS16-K20	16	2	2000	2800	4,360	11,460	LA 120	11.2	130 W
CS20-K20	20	2	2000	3300	5,170	13,080	LA 200	12.1	200 W
CS20-K25	20	2	2500	2600	5,290	14,620	LA 200	12.1	200 W
CS25-K25	25	2	2500	2800	5,690	15,420	LA 200	12.9	200 W
CS30-K25	30	2	2500	3300	6,700	17,420	DT 4.10	12.5	250 W
CS35-K25	35	2	2500	3700	7,500	19,020	DT 4.10	12.9	250 W
CS40-K30	40	2	3000	3200	10,430	26,220	DT 4.25	9.0	700 W
CS40-H25K25	40	3	2500	3000	6,080	26,680	DT 4.25	9.0	700 W
CS40-2K25	40	4	2500	2600	5,290	29,100	DT 4.25	9.0	700 W
CS50-K30	50	2	3000	3950	12,590	30,870	DT 4.25	12.8	700 W
CS50-H25K25	50	3	2500	3700	10,710	31,950	DT 4.25	12.8	700 W
CS50-2K25	50	4	2500	3000	6,090	32,300	DT 4.25	12.8	700 W

Note:

- The compressor capacities specified above are based on output; any calculation of the energy costs must take power loss into account in each case. This can be estimated with a factor of 1.1 for compressors of type LA and 1.7 for compressors of type DT.
- The specified weights indicate the maximum weights and may vary depending on the manufacturing location, please contact us directly for queries on the precise individual weight.
- Supplied pressure hose length for exterior switch cabinet: 5 m
- Supplied pressure hose length for internal switch cabinet: 15 m
- The systems are suitable only for treating domestic wastewater, special conditions (e.g. restaurant wastewater, commercial and industrial wastewater) on request.
- Effluent class C effluent values: CSB ≤ 150 mg/l, BSB₅ ≤ 40 mg/l

Webcode **M4002**



Mall SanoClean S classicline small wastewater treatment plant, ring-type construction patented


 Animation at:
www.mall.info/tv
Suppliers: Coswig, Nottuln

to meet minimum statutory requirements (class C)

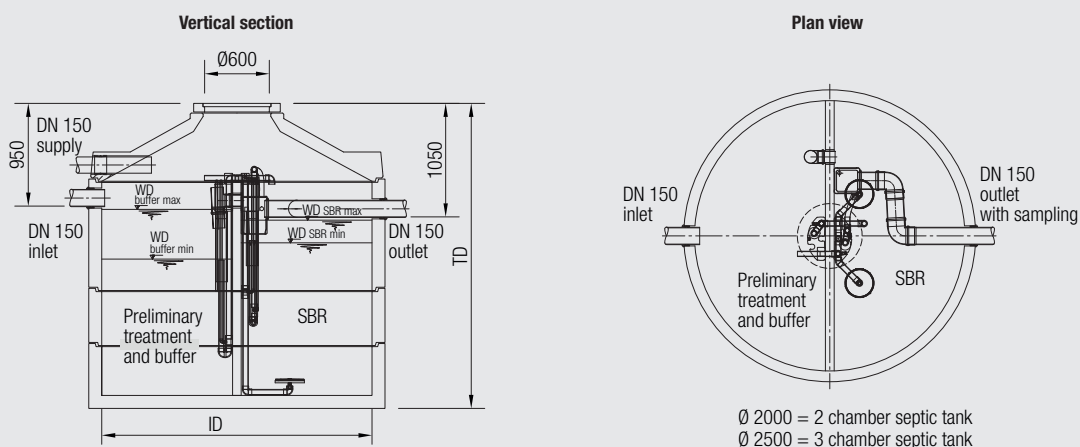
- Reinforced concrete rings for on-site grouting
- Reinforced concrete base ring produced in one piece from C35/45 (B45)
- C35/45 (B45) dividing wall rings
- Cone, feed-through for supply lines
- Class A 15 shaft cover which can be walked over
- SanoClean SBR module with completely pre-assembled machinery cabinet incl. control system
- For compressor types LA 45, LA 60, LA 80, LA 100, LA 120, LA 200, DT 4.4, DT 4.6, DT 4.8, DT 4.10 with interior or exterior cabinet as selected
- Integrated sampling facility (sampling pot)



Order number	Residents	Number of tanks items	Inner Ø ID mm	Total depth TD mm	Heaviest single weight kg	Total weight kg	Compressor type	Preset runtime h	Compressor capacity at max. 300 hpa
R-CS4-H20	4	1	2000	2310	2,320	5,750	LA 45	10.9	47 W
R-CS6-H20	6	1	2000	2550	2,320	6,260	LA 60	9.2	64 W
R-CS8-H20	8	1	2000	3050	2,320	7,290	LA 100	7.4	100 W
R-CS8-H25	8	1	2500	2310	3,280	8,000	LA 80	9.3	86 W
R-CS12-H25	12	1	2500	2820	3,280	9,400	LA 100	9.4	100 W
R-CS16-H25	16	1	2500	3320	3,250	10,790	LA 120	10.5	120 W
R-CS16-K20	16	2	2000	2800	2,140	11,970	LA 120	11.1	120 W
R-CS20-K20	20	2	2000	3300	2,140	13,610	DT 4.8	9.2	250 W
R-CS20-K25	20	2	2500	2570	2,950	15,350	LA 200	9.2	200 W
R-CS25-K25	25	2	2500	2800	2,950	16,350	LA 200	11.1	200 W
R-CS30-K25	30	2	2500	3300	2,950	18,390	DT 4.10	13.0	250 W
R-CS35-K25	35	2	2500	3830	2,950	20,370	DT 4.10	13.2	250 W

Note:

- The compressor capacities specified above are based on output; any calculation of the energy costs must take power loss into account in each case. This can be estimated with a factor of 1.1 for compressors of type LA and 1.7 for compressors of type DT.
- Installation of the SanoClean SBR module in the tank is not included in the price and must be separately requested.
- Supplied pressure hose length for exterior switch cabinet: 5 m
- Supplied pressure hose length for internal switch cabinet: 15 m
- The systems are suitable only for treating domestic wastewater, special conditions (e.g. restaurant wastewater, commercial and industrial wastewater) on request.
- Effluent class C effluent values: CSB ≤ 150 mg/l, BSB₅ ≤ 40 mg/l

 Webcode **M4002**


Mall SanoClean M classicline small wastewater treatment plant patented



Animation at:
www.mall.info/tv



to meet minimum statutory requirements with nitrification (effluent class N)

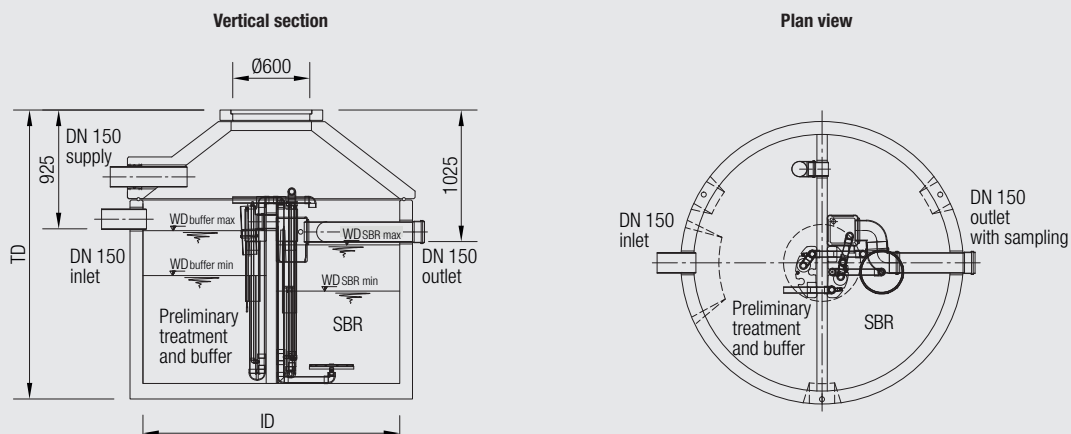
- Comfort-type C35/45 reinforced concrete tank (Ø 2000/2500 mm) or with rebate (Ø 3000), monolithic round structure
- Comfort type has bolted cone incl. elastomer seal, bolting material, version with Ø 3000 cone has mortar joint, built-in feed-through for the supply lines
- Class A 15 shaft cover which can be walked over
- SanoClean SBR module with completely pre-assembled machinery cabinet incl. control system, d-pac compressed air control and power failure detection
- For compressor types LA 45, LA 60, LA 80, LA 100, LA 120, LA 200, D 4.4, DT 4.6, DT 4.8, DT 4.10 and DT 4.16 with interior or exterior cabinet as selected
- For compressor type DT 4.25: available with exterior cabinet only
- Integrated sampling facility (sampling pot)

Order number	Residents	Number of tanks items	Inner Ø ID mm	Total depth TD mm	Heaviest single weight kg	Total weight kg	Compressor type	Preset runtime h	Compressor capacity at max. 300 hpa
CM4-H20	4	1	2000	2250	4,530	5,410	LA 60	10.3	64 W
CM6-H20	6	1	2000	2600	5,240	6,110	LA 80	10.3	86 W
CM8-H20	8	1	2000	3000	6,050	6,910	LA 100	10.3	100 W
CM8-H25	8	1	2500	2300	5,420	7,450	LA 100	10.3	100 W
CM12-H25	12	1	2500	2800	6,670	8,690	LA 100	14.0	100 W
CM16-H25	16	1	2500	3300	9,530	11,470	LA 200	10.6	200 W
CM16-K20	16	2	2000	2800	4,360	11,460	LA 200	10.6	200 W
CM20-K20	20	2	2000	3300	5,170	13,080	LA 200	12.1	200 W
CM20-K25	20	2	2500	2600	5,290	14,620	LA 200	12.1	200 W
CM25-K25	25	2	2500	2800	5,690	15,420	LA 200	14.5	200 W
CM30-K25	30	2	2500	3300	6,700	17,420	DT 4.16	12.5	440 W
CM35-K25	35	2	2500	3700	7,500	19,350	DT 4.25	9.6	700 W
CM40-K30	40	2	3000	3200	10,430	26,550	DT 4.25	10.7	700 W
CM40-H25K25	40	3	2500	3000	6,080	27,080	DT 4.25	10.7	700 W
CM40-2K25	40	4	2500	2600	5,290	29,520	DT 4.25	10.7	700 W
CM50-K30	50	2	3000	3950	12,590	30,870	DT 4.25	14.4	700 W
CM50-H25K25	50	3	2500	3700	10,710	31,950	DT 4.25	14.4	700 W
CM50-2K25	50	4	2500	3000	6,090	32,720	DT 4.25	14.4	700 W

Note:

- The compressor capacities specified above are based on output; any calculation of the energy costs must take power loss into account in each case. This can be estimated with a factor of 1.1 for compressors of type LA and 1.7 for compressors of type DT.
- The specified weights indicate the maximum weights and may vary depending on the manufacturing location. Please contact us directly for queries on the precise individual weight.
- Supplied pressure hose length for exterior switch cabinet: 5 m
- Supplied pressure hose length for internal switch cabinet: 15 m
- The systems are suitable only for treating domestic wastewater, special conditions (e.g. restaurant wastewater, commercial and industrial wastewater) on request.
- Effluent class N effluent values: CSB ≤ 90 mg/l, BSB₅ ≤ 20 mg/l, NH₄-N ≤ 10 mg/l

Webcode **M4002**



Mall SanoClean L classicline small wastewater treatment plant patented

 Animation at:
www.mall.info/tv

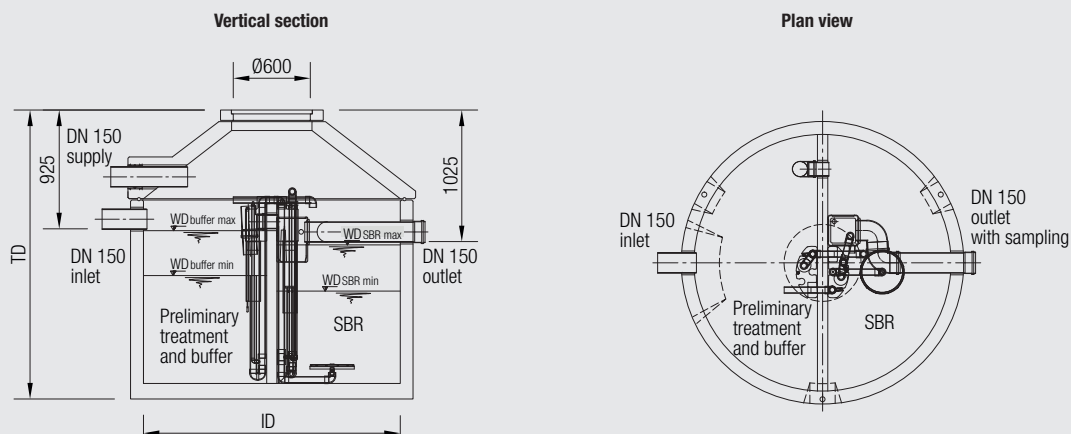
**to meet minimum statutory requirements
 with nitrification and denitrification (effluent class D)**

- Comfort-type C35/45 reinforced concrete tank (Ø 2000/2500 mm) or with rebate (Ø 3000), monolithic round structure
- Comfort type has bolted cone incl. elastomer seal, bolting material, version with Ø 3000 cone has mortar joint, built-in feed-through for the supply lines
- Class A 15 shaft cover which can be walked over
- SanoClean SBR module with completely pre-assembled machinery cabinet incl. control system, d-pac compressed air control and power failure detection
- For compressor types LA 45, LA 60, LA 80, LA 100, LA 120, LA 200, DT 4.4, DT 4.6, DT 4.8, DT 4.10 and DT 4.16 with interior or exterior cabinet as selected
- For compressor types DT 4.25 and SV201/2: available with exterior cabinet only
- Integrated sampling facility (sampling pot)

Order number	Residents	Number of tanks items	Inner Ø ID mm	Total depth TD mm	Heaviest single weight kg	Total weight kg	Compressor type	Preset runtime h	Compressor capacity at max. 300 hpa
CL4-2V20	4	1	2000	2250	4,530	5,680	LA 60	15.9	64 W
CL6-2V20	6	1	2000	2600	5,240	6,450	LA 120	13.7	130 W
CL8-2V20	8	1	2000	3000	6,050	7,340	DT 4.10	11.4	250 W
CL8-2V25	8	1	2500	2300	5,420	7,800	LA 120	12.6	130 W
CL12-2V25	12	1	2500	2800	6,670	9,170	LA 200	14.8	200 W
CL16-2V25	16	1	2500	3300	9,530	12,080	DT 4.16	13.7	440 W
CL16-2H20	16	2	2000	2800	4,360	12,220	DT 4.16	14.8	440 W
CL20-2H20	20	2	2000	3300	5,170	14,040	DT 4.16	14.8	440 W
CL20-2H25	20	2	2500	2600	5,290	15,470	DT 4.16	14.8	440 W
CL25-2H25	25	2	2500	2800	5,690	16,370	DT 4.16	17.1	440 W
CL30-2H25	30	2	2500	3300	6,700	20,480	DT 4.25	13.7	700 W
CL35-2H25	35	2	2500	3700	7,500	22,460	DT 4.25	14.8	700 W
CL40-2H30	40	2	3000	3200	10,430	27,910	DT 4.25	14.8	700 W
CL40-H25K25	40	3	2500	3000	6,080	27,080	DT 4.25	14.8	700 W
CL40-2K25	40	4	2500	2600	5,290	29,520	DT 4.25	14.8	700 W
CL50-2H30	50	2	3000	3950	12,590	31,860	SV 201/2	13.7	1000 W
CL50-H25K25	50	3	2500	3700	10,710	32,080	SV 201/2	13.7	1000 W
CL50-2K25	50	4	2500	3000	6,090	32,850	SV 201/2	13.7	1000 W

Note:

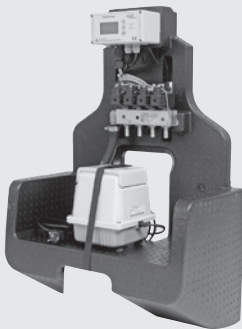
- The compressor capacities specified above are based on output; any calculation of the energy costs must take power loss into account in each case. This can be estimated with a factor of 1.1 for compressors of type LA and 1.7 for compressors of type DT.
- The specified weights indicate the maximum weights and may vary depending on the manufacturing location. Please contact us directly for queries on the precise individual weight.
- Supplied pressure hose length for exterior switch cabinet: 5 m
- Supplied pressure hose length for internal switch cabinet: 15 m
- The systems are suitable only for treating domestic wastewater, special conditions (e.g. restaurant wastewater, commercial and industrial wastewater) on request.
- Effluent class D effluent values: CSB ≤ 90 mg/l, BSB₅ ≤ 20 mg/l, NH₄-N ≤ 10 mg/l, N_{total} ≤ 25 mg/l

 Webcode **M4002**


Retrofit module



Technical console



Mall SanoClean S easyline small wastewater treatment plant retrofittable system

Z-55.8-724

to meet minimum statutory requirements (effluent class C)



Animation at:
www.mall.info/tv

- SanoClean SBR module
- Technical console for interior installation, completely pre-assembled incl. control system with power failure detection

Order number	Residents	Minimum volume m ³	Max. water depth m	Compressor type	Compressor capacity at max. 300 hpa	Runtime S easyline h
ESN4-45	4	3.5	1.3	LA 45	47 W	10.5
ESN4-80	4	3.5	1.5	LA 80	86 W	5.6
ESN6-60	6	4.0	1.5	LA 60	64 W	8.9
ESN8-80	8	5.2	1.5	LA 80	86 W	9.3
ESN8-100	8	5.2	1.8	LA 100	100 W	7.2
ESN10-100	10	6.5	1.8	LA 100	100 W	9.3
ESN12-100	12	7.8	1.8	LA 100	100 W	9.3
ESN16-120	16	10.4	1.8	LA 120	130 W	11.2
ESN20-200	20	13.0	2.0	LA 200	200 W	12.1

Mall SanoClean M easyline small wastewater treatment plant retrofittable system

Z-55.8-725

to meet minimum statutory requirements with nitrification (effluent class N)

- SanoClean SBR module
- Technical console for interior installation, completely pre-assembled incl. control system with power failure detection

Order number	Residents	Minimum volume m ³	Max. water depth m	Compressor type	Compressor capacity at max. 300 hpa	Runtime M easyline h
EMN4-60	4	3.5	1.5	LA 45	47 W	10.3
EMN4-100	4	3.5	1.8	LA 100	100 W	7.0
EMN6-80	6	4.0	1.8	LA 80	86 W	10.3
EMN6-100	6	4.0	1.8	LA 100	100 W	8.6
EMN8-100	8	5.2	1.8	LA 100	100 W	10.3
EMN10-100	10	6.5	1.8	LA 100	100 W	10.7
EMN12-100	12	7.8	1.8	LA 100	100 W	14.0
EMN16-200	16	10.4	2.0	LA 200	200 W	10.6

Note:

- The compressor capacities specified above are based on output; any calculation of the energy costs must take power loss into account in each case. This can be estimated with a factor of 1.1 for compressors of type LA.
- The tank dimensions (diameter, water depth, arrangement of dividing walls/dividing wall height) must be specified on ordering.
- The specified prices apply to the equipping of a quadrant/semi-circular segment in the round tank, for the equipping of 2 quadrants, an additional charge of EUR 170.00 is added; multiple tanks on request.
- Supplied pressure hose length for internal switch cabinet: 10 m
- The systems are suitable only for treating domestic wastewater, special conditions (e.g. restaurant wastewater, commercial and industrial wastewater) on request.
- Effluent class C effluent values: CSB ≤ 150 mg/l, BSB₅ ≤ 40 mg/l
- Effluent class N effluent values: CSB ≤ 90 mg/l, BSB₅ ≤ 20 mg/l, NH₄-N ≤ 10 mg/l

Minimum volume for retrofitting

Residents	4	6	8	10	12	16	20
Total minimum volume classicline	3.5	4.0	5.2	6.5	7.8	10.4	13.0
Total minimum volume PT activeline	2.6	3.3	4.3	5.2	6.2	8.2	8.2
Minimum volume SBR activeline	1.0	1.3	1.7	2.1	2.5	3.4	4.2

Webcode **M4002**

Retrofit module



Internal switch cabinet



Exterior switch cabinet



Mall SanoClean S classicline/activeline small wastewater treatment plant retrofittable system

Z-55.8-724

 Animation at:
www.mall.info/tv

to meet minimum statutory requirements (effluent class C)

- SanoClean SBR module
- Completely pre-assembled machinery cabinet, including control system, d-pac compressed air control and power failure detection
- For compressor type DT4.25: available with exterior cabinet only
- For compressor types LA 45, LA 60, LA 80, LA 100, LA 120, LA 200, DT 4.4, DT 4.6, DT 4.8, DT 4.10 and DT 4.16 with interior or exterior cabinet as selected
- Integrated sampling facility (sampling pot)

Depending on existing tank volume/type supplied as

- classicline with primary sedimentation tank or
- activeline with reduced operating costs, lower electricity consumption, longer sludge storage time

Order number	Order number	Residents	Max. water depth	Compressor type	Compressor capacity at max. 300 hpa	Runtime S classicline	Runtime S activeline
classicline	activeline		m			h	h
CSN4-45	ASN 4-45	4	1.3	LA 45	47 W	10.5	7.2
CSN4-60	ASN 4-60	4	1.5	LA 60	64 W	8.9	7.2
CSN4-80	ASN 4-80	4	1.8	LA 80	86 W	5.6	4.2
CSN4-4.4	ASN 4-4.4	4	2.5	DT 4.4	110 W	5.6	4.2
CSN6-60	ASN 6-60	6	1.5	LA 60	64 W	8.9	7.2
CSN6-80	ASN 6-80	6	1.8	LA 80	86 W	7.2	5.6
CSN6-4.4	ASN 6-4.4	6	2.5	DT 4.4	110 W	7.2	5.6
CSN8-80	ASN 8-80	8	1.5	LA 80	86 W	9.3	7.2
CSN8-100	ASN 8-100	8	1.8	LA 100	100 W	7.2	5.6
CSN8-4.4	ASN 8-4.4	8	2.5	DT 4.4	110 W	7.2	5.6
CSN10-100	ASN 10-100	10	1.8	LA 100	100 W	9.3	7.2
CSN10-4.6	ASN 10-4.6	10	2.5	DT 4.6	150 W	7.2	5.6
CSN12-100	ASN 12-100	12	1.8	LA 100	100 W	9.3	7.2
CSN12-4.6	ASN 12-4.6	12	2.5	DT 4.6	150 W	9.3	7.2
CSN16-120	ASN 16-120	16	1.8	LA 120	130 W	11.2	9.3
CSN16-4.6	ASN 16-4.6	16	2.5	DT 4.6	150 W	11.2	9.3
CSN20-200	ASN 20-200	20	2.0	LA 200	200 W	9.6	7.2
CSN20-4.8	ASN 20-4.8	20	2.5	DT 4.8	250 W	9.6	7.2
CSN25-200	ASN 25-200	25	2.0	LA 200	200 W	12.5	8.6
CSN25-4.10	ASN 25-4.10	25	2.5	DT 4.10	250 W	12.5	8.6
CSN30-200	ASN 30-200	30	2.0	LA 200	200 W	12.5	9.3
CSN30-4.10	ASN 30-4.10	30	2.5	DT 4.10	250 W	12.5	9.3
CSN35-200	ASN 35-200	35	2.0	LA 200	200 W	12.9	9.3
CSN35-4.10	ASN 35-4.10	35	2.5	DT 4.10	250 W	12.9	9.3
CSN40-4.25	ASN 40-4.25	40	2.5	DT 4.25	700 W	9.0	7.2
CSN50-4.25	ASN 50-4.25	50	2.5	DT 4.25	700 W	12.8	9.3

Note:

- The tank dimensions (diameter, water depth, arrangement of dividing walls, dividing wall height) must be specified on ordering.
- Other information as for complete systems with tank
- The specified prices for 4–16 PE apply to single tank systems (2K/3K). Multiple tanks on request at extra cost

Minimum volume for retrofitting

Residents	4	6	8	10	12	16	20	25	30	35	40	50
Total minimum volume classicline	3.5	4.0	5.2	6.5	7.8	10.4	13.0	16.3	19.5	22.8	26.0	32.5
Total minimum volume PT activeline	2.6	3.3	4.3	5.2	6.2	8.2	8.2	12.9	15.5	18.5	20.6	23.8
Minimum volume SBR activeline	1.0	1.3	1.7	2.1	2.5	3.4	4.2	5.1	6.3	7.6	8.4	10.5

 Webcode **M4002**

Retrofit module



Internal switch cabinet



Mall SanoClean M classicline/activeline small wastewater treatment plant retrofittable system

Z-55.8-725



Animation at:
www.mall.info/tv

to meet minimum statutory requirements with nitrification (effluent class N)

- SanoClean SBR module
- Completely pre-assembled machinery cabinet, including control system, d-pac compressed air control and power failure detection
- For compressor type DT 4.25: available with exterior cabinet only
- For compressor types LA 45, LA 60, LA 80, LA 100, LA 120, LA 200, DT 4.4, DT 4.6, DT 4.8, DT 4.10 and DT 4.16 with interior or exterior cabinet as selected
- Integrated sampling facility (sampling pot)

Depending on existing tank volume/type supplied as

- classicline with primary sedimentation tank or
- activeline with reduced operating costs, lower electricity consumption, longer sludge storage time

Order number	Order number	Residents	Max. water depth m	Compressor type	Compressor capacity at max. 300 hpa	Runtime M classicline h	Runtime M activeline h
classicline	activeline						
CMN4-60	AMN 4-60	4	1.5	LA 60	64 W	10.3	7.2
CMN4-100	AMN 4-100	4	1.8	LA 100	100 W	7.0	5.2
CMN4-4.4	AMN 4-4.4	4	2.5	DT 4.4	110 W	7.0	5.2
CMN6-80	AMN 6-80	6	1.5	LA 80	86 W	10.3	7.0
CMN6-100	AMN 6-100	6	1.8	LA 100	100 W	8.6	5.6
CMN6-4.4	AMN 6-4.4	6	2.5	DT 4.4	110 W	8.6	5.6
CMN8-100	AMN 8-100	8	1.8	LA 100	100 W	10.3	7.2
CMN8-4.4	AMN 8-4.4	8	2.5	DT 4.4	110 W	12.0	8.0
CMN10-100	AMN 10-100	10	1.8	LA 100	100 W	10.7	7.2
CMN10-4.6	AMN 10-4.6	10	2.5	DT 4.6	150 W	10.3	7.2
CMN12-100	AMN 12-100	12	1.8	LA 100	100 W	14.0	9.2
CMN12-4.6	AMN 12-4.6	12	2.5	DT 4.6	150 W	12.1	10.0
CMN16-200	AMN 16-200	16	2.0	LA 200	200 W	10.6	9.3
CMN16-4.10	AMN 16-4.10	16	2.5	DT 4.10	250 W	10.6	8.5
CMN20-200	AMN 20-200	20	2.0	LA 200	200 W	12.1	7.2
CMN20-4.10	AMN 20-4.10	20	2.5	DT 4.10	250 W	12.1	7.2
CMN25-4.16	AMN 25-4.16	25	2.5	DT 4.16	440 W	10.6	8.0
CMN30-4.16	AMN 30-4.16	30	2.5	DT 4.16	440 W	12.9	10.0
CMN35-4.25	AMN 35-4.25	35	2.5	DT 4.25	700 W	9.6	8.0
CMN40-4.25	AMN 40-4.25	40	2.5	DT 4.25	700 W	10.7	8.0
CMN50-4.25	AMN 50-4.25	50	2.5	DT 4.25	700 W	14.4	11.0

Note:

- The tank dimensions (diameter, water depth, arrangement of dividing walls, dividing wall height) must be specified on ordering.
- Other information as for complete systems with tank
- The specified prices for 4–16 PE apply to single tank systems (2K/3K). Multiple tanks on request at extra cost

Minimum volume for retrofitting

Residents	4	6	8	10	12	16	20	25	30	35	40	50
Total minimum volume classicline	3.5	4.0	5.2	6.5	7.8	10.4	13.0	16.3	19.5	22.8	26.0	32.5
Total minimum volume PT activeline	2.6	3.3	4.3	5.2	6.2	8.2	8.2	12.9	15.5	18.5	20.6	23.8
Minimum volume SBR activeline	1.0	1.3	1.7	2.1	2.5	3.4	4.2	5.1	6.3	7.6	8.4	10.5

Retrofit module



Internal switch cabinet



Mall SanoClean L classicline small wastewater treatment plant retrofittable system

to meet minimum statutory requirements with nitrification and denitrification (effluent class D)

- SanoClean SBR module
- Completely pre-assembled machinery cabinet, including control system, d-pac compressed air control and power failure detection
- For compressor types LA 45, LA 60, LA 80, LA 100, LA 120, LA 200, DT 4.4, DT 4.6, DT 4.8, DT 4.10 and DT 4.16 with interior or exterior cabinet as selected
- Integrated sampling facility (sampling pot)

Depending on existing tank volume/type supplied as

- classicline with primary sedimentation tank or
- activeline with reduced operating costs, lower electricity consumption, longer sludge storage time

Z-55.8-726


Animation at:
www.mall.info/tv

Order number classicline	Residents	Max. water depth m	Compressor type	Compressor capacity at max. 300 hpa	Runtime S classicline h
CLN4-60	4	1.5	LA 60	64 W	15.9
CLN4-100	4	1.8	LA 100	100 W	12.0
CLN6-120	6	1.8	LA 100	100 W	13.7
CLN8-200	8	1.8	LA 100	100 W	11.7
CLN8-4.10	8	2.5	DT 4.4	110 W	11.7
CLN12-200	12	1.8	LA 100	100 W	14.8
CLN16-200	16	2.0	LA 200	200 W	13.7
CLN16-4.16	16	2.5	DT 4.10	250 W	13.7

Note:

- The tank dimensions (diameter, water depth, arrangement of dividing walls, dividing wall height) must be specified on ordering.
- Other information as for complete systems with tank
- The specified prices for 4–16 PE apply to single tank systems (2K/3K). Multiple tanks on request at extra cost
- Further sizes and activeline on request

Minimum volume for retrofitting

Residents	4	6	8	10	12	16	20	25	30	35	40	50
Total minimum volume classicline	3.5	4.0	5.2	6.5	7.8	10.4	13.0	16.3	19.5	22.8	26.0	32.5
Total minimum volume PT activeline	2.6	3.3	4.3	5.2	6.2	8.2	8.2	12.9	15.5	18.5	20.6	23.8
Minimum volume SBR activeline	1.0	1.3	1.7	2.1	2.5	3.4	4.2	5.1	6.3	7.6	8.4	10.5



Mall PE SanoClean S and M easyline small wastewater treatment plant

- PE plastic tank with built-in multiple feed-through for the supply lines
- Shaft cover and tank construction which can be walked over
- Adjustable entry dome DN 600 (for 8,000 litres – 12,000 litres additional adjustable dome DN 400)
- SanoClean SBR module
- Technical console for interior installation, completely pre-assembled incl. control system with power failure detection
- Max. earth cover 600 mm

Order number	Residents	Number of tanks items	Nom. vol. (DIN-19893) l	Total depth max. mm	Width mm	Length mm	Heaviest single weight kg	Total weight kg	Compressor type	Preset Runtime h	Compressor capacity at max. 300 hpa
--------------	-----------	-----------------------	-------------------------	---------------------	----------	-----------	---------------------------	-----------------	-----------------	------------------	-------------------------------------

SanoClean S easyline

to meet minimum statutory requirements (effluent class C)

PER ES4	4	1	3500	2440	1180	2330	230	330	LA 45	10.5	47 W
PER ES6	6	1	6000	2775	1350	2450	350	370	LA 60	8.9	64 W
PER ES8	8	1	6000	2775	1350	2450	350	370	LA 80	9.3	86 W
PE ES12-2	12	2	2x5000	2500	1800	2x2450	290	860	LA 100	9.3	100 W
PE ES16-2	16	2	2x6000	2500	1800	2x2820	310	860	LA 120	11.2	120 W

Applicability of prices: The prices apply solely to systems for the treatment of domestic wastewater and effluent values for small wastewater treatment plants with effluent class C (CSB ≤ 150 mg/l, BSB₅ ≤ 40 mg/l). Prices for other geometries on request.

SanoClean M easyline

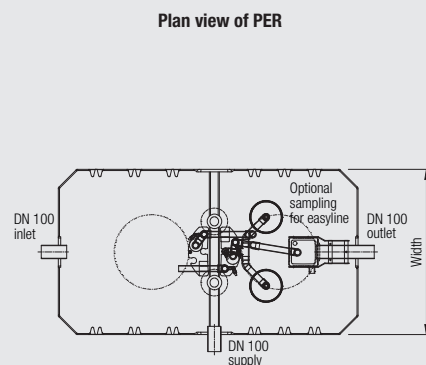
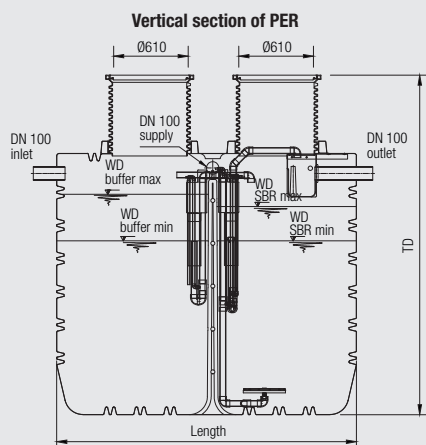
to meet minimum statutory requirements with nitrification (effluent class N)

PER EM4	4	1	3500	2440	1180	2330	230	330	LA 60	10.6	64 W
PER EM6	6	1	6000	2775	1350	2450	350	370	LA 80	10.3	86 W
PER EM8	8	1	6000	2775	1350	2450	350	370	LA 100	10.3	100 W
PE EM12-2	12	2	2x5000	2500	1800	2x2450	290	860	LA 120	14.0	120 W
PE EM16-2	16	2	2x6000	2500	1800	2x2820	310	860	LA 200	9.0	200 W

Note:

- The compressor capacities specified above are based on output; any calculation of the energy costs must take power loss into account in each case. This can be estimated with a factor of 1.1 for compressors of type LA.
- Supplied pressure hose length for internal switch cabinet: 10 m
- The systems are suitable only for treating domestic wastewater, special conditions (e.g. restaurant wastewater, commercial and industrial wastewater) on request.
- Effluent class C effluent values: CSB ≤ 150 mg/l, BSB₅ ≤ 40 mg/l
- Effluent class N effluent values: CSB ≤ 90 mg/l, BSB₅ ≤ 20 mg/l, NH₄-N ≤ 10 mg/l

Webcode **M4001**





Mall PE SanoClean S and M classicline small wastewater treatment plant patented

- PE plastic tank with built-in multiple feed-through for the supply lines
- Shaft cover and tank construction which can be walked over
- Max. earth cover 600 mm
- Adjustable entry dome DN 600 (for 8,000 litres – 12,000 litres additional adjustable dome DN 400)
- SanoClean SBR module with completely pre-assembled machinery cabinet incl. control system, compressed air control and power failure detection
- For compressor types LA 45, LA 60, LA 80, LA 100, LA 120, LA 200 with interior or exterior cabinet as selected
- Integrated sampling facility (sampling pot)

Order number	Residents	Number of tanks items	Nom. vol. (DIN-19893) l	Total depth max. mm	Width mm	Length mm	Heaviest single weight kg	Total weight kg	Compressor type	Preset runtime h	Compressor capacity at max. 300 hpa
--------------	-----------	--------------------------	-------------------------------	---------------------------	-------------	--------------	------------------------------	--------------------	-----------------	---------------------	-------------------------------------

SanoClean S classicline

to meet minimum statutory requirements (effluent class C)

PER CS4	4	1	3500	2440	1180	2330	230	330	LA 45	10.5	47 W
PER CS6	6	1	6000	2775	1350	2450	350	370	LA 60	8.9	64 W
PER CS8	8	1	6000	2775	1350	2450	350	370	LA 80	9.3	86 W
PE CS12-2	12	2	2x5000	2500	1800	2x2450	290	860	LA 100	9.3	100 W
PE CS16-2	16	2	2x6000	2500	1800	2x2820	310	860	LA 120	11.2	120 W

SanoClean M classicline

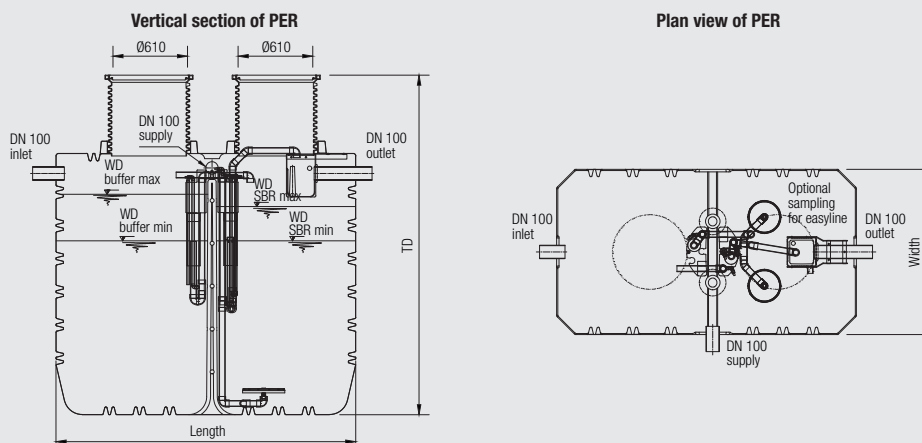
to meet minimum statutory requirements with nitrification (effluent class N)

PER CM4	4	1	3500	2440	1180	2230	230	330	LA 60	10.6	64 W
PER CM6	6	1	6000	2775	1350	2450	350	370	LA 80	10.3	86 W
PER CM8	8	1	6000	2775	1350	2450	350	370	LA 100	10.3	100 W
PE CM12-2	12	2	2x5000	2500	1800	2x2450	290	860	LA 120	14.0	120 W
PE CM16-2	16	2	2x6000	2500	1800	2x2820	310	860	LA 200	9.0	200 W

Note:

- The compressor capacities specified above are based on output; any calculation of the energy costs must take power loss into account in each case. This can be estimated with a factor of 1.1 for compressors of type LA and 1.7 for compressors of type DT.
- Supplied pressure hose length for exterior switch cabinet: 5 m
- Supplied pressure hose length for internal switch cabinet: 15 m
- The systems are suitable only for treating domestic wastewater, special conditions (e.g. restaurant wastewater, commercial and industrial wastewater) on request.
- Effluent class C effluent values: CSB \leq 150 mg/l, BSB₅ \leq 40 mg/l
- Effluent class N effluent values: CSB \leq 90 mg/l, BSB₅ \leq 20 mg/l, NH₄-N \leq 10 mg/l
- PE systems for 20 – 50 PE on request

Webcode **M4001**



Mall SanoClean oval wastewater treatment plant

- Monolithic oval type reinforced concrete tank in C45/55 LVB
- Transition plate incl. elastomer seal, bolting material
- Shaft cones DN800/600 with built-in multiple feed-through for the supply lines
- Shaft cover which can be walked over, class B 125
- SanoClean SBR module with completely pre-assembled machinery cabinet incl. compressor 400 V, control system, d-pac compressed air control and power failure detection
- Sampling shaft
- Concrete exterior cabinet with foundation
- Design as per DWA M 210
- Primary/secondary sludge storage volume approx. 100 days

PE	PT/buffer		SBR		Total depth max. m	Heaviest single weight kg	Total weight kg	Compressor type	Installed motor capacity kW
	Number of tanks items	W x L (external) m	Number of tanks items	W x L (external) m					
SanoClean S to meet minimum statutory requirements (effluent class C)									
S75 OV	1	2.48 x 6.00	1	2.48 x 6.00	3.42	17,210	51,040	SV 200/2	2.00
S100 OV	1	2.48 x 7.00	1	2.48 x 7.00	3.42	19,710	59,200	SV 200/2	2.00
S125 OV	1	2.48 x 8.00	1	2.48 x 8.00	3.42	22,220	67,400	2 x SV 200/1	2x 1.10
S150 OV	1	2.48 x 8.00	2	2.48 x 6.00	3.42	22,220	84,740	2 x SV 200/1	2x 1.10
S200 OV	2	2.48 x 7.00	2	2.48 x 7.00	3.42	19,710	118,400	2 x SV 200/2	2x 2.00

Systems for increased requirements, e.g. nitrification, denitrification and P elimination on request

Note:

- Supplied pressure hose length for exterior switch cabinet: 15 m
- The systems are suitable only for treating domestic wastewater.
- Effluent class C effluent values: CSB ≤ 150 mg/l, BSB₅ ≤ 40 mg/l

Mall SanoClean round wastewater treatment plant

- Comfort-type monolithic C35/45 reinforced concrete tank with round structure
- Bolted cone including elastomer seal and bolting material
- **Other characteristics as for oval design (see above) from point 3**

Order number	Residents	Number of tanks items	Inner Ø mm	Total depth max. mm	Heaviest single weight kg	Total weight kg	Compressor type	Installed motor capacity kW
SanoClean S to meet minimum statutory requirements (effluent class C)								
S75	75	4	2500	3700	7,450	38,000	SV 200/2	2.00
S100	100	6	2500	3700	7,450	56,400	SV 200/2	2.00
S125	125	7	2500	3700	7,450	65,800	2 x SV 200/1	2 x 1.10
S150	150	7	2500	3700	7,450	65,800	2 x SV 200/1	2 x 1.10
S175	175	10	2500	3700	7,450	95,000	2 x SV 200/2	2 x 2.00
S200	200	10	2500	3700	7,450	95,000	2 x SV 200/2	2 x 2.00

Webcode **M4003**

